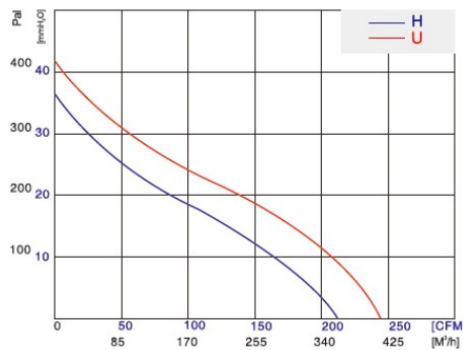
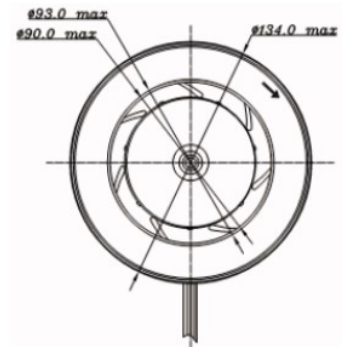
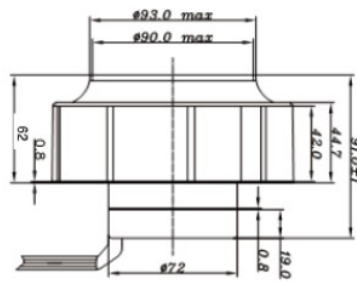
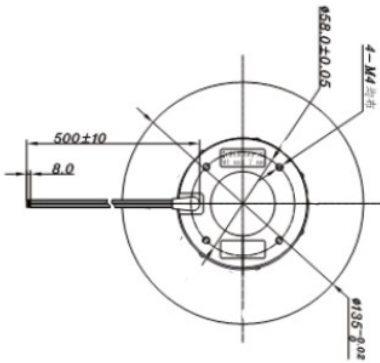


## CFD13629L SERIES

- Size:  $\Phi 133 \times 62\text{mm}$
- Impeller: Plastic & Metal
- Motor: DC Brushless Motor External Rotor
- Operating Temperature:  $-25^{\circ}\text{C}$  to  $+65^{\circ}\text{C}$
- Insulation: Class B
- Connection: Lead Wire
- Bearing: Ball Type
- Weight: 740g



Model Number	Voltage	Current	Power	Speed	Air Flow	Pressure	Noise
	(V)	(A)	(W)	(RPM)	(CFM)	(mmH <sub>2</sub> O)	(dB(A))
CFD1362V24BUW9L	24	1.6	38.4	4000	212.2	36.8	65
CFD1362V48BUW9L	48	0.8	38.4	4000	212.2	36.8	65
CFD1362V48BUW9L	48	1.3	62.4	4500	247.5	41.5	70

W: Lead Wires  
B: Ball Type