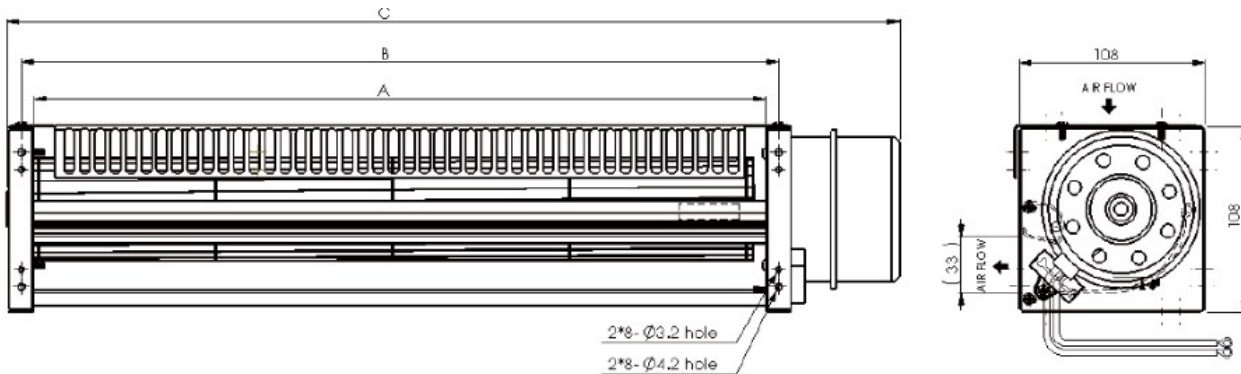


CA060F SERIES

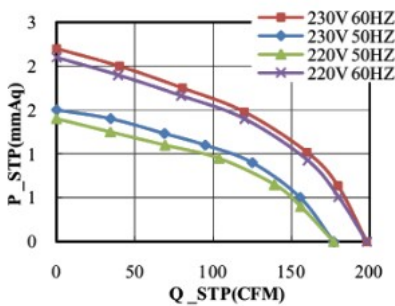
- Size: $\phi 60\text{mm}$
- Housing / Impeller: Aluminum / Aluminum
- Motor: AC Capacity Type
- Operating Temperature: $0^{\circ}\text{C} \sim +45^{\circ}\text{C}$
- Insulation: Class A



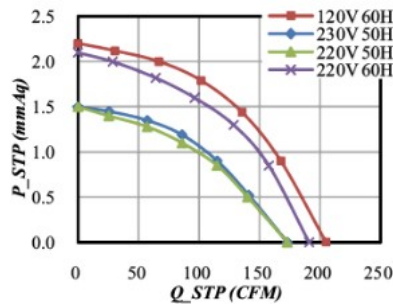
Model Number	Size (mm)			Voltage (V)	Frequency (Hz)	Current (A)	Power (W)	Speed (RPM)	Air Flow (CFM)	Pressure (mmH ₂ O)	Noise dB(A)	Weight (g)
	A	B	C									
CA06042V22_HWF	426	441	520	220	50/60	0.10/0.16	24/35	1400/1700	177/198	1.4/2.1	40/42	2800
				230	50/60	0.11/0.16	26/38	1400/1700	177/198	1.5/2.2	40/42	
CA06042V11_HWF	426	441	511	120	60	0.26	28	1600	205	2.2	47	2350
CA06042V22_LWF				220	50/60	0.13/0.14	23/26	1350/1550	173/191	1.5/2.1	42/45	
				230	50	0.14	24	1400	173	1.5	42	
CA06060V22_HWF	606	621	700	220	50/60	0.11/0.17	24/37	1400/1650	283/318	1.5/2.1	40/41	3200
				230	50/60	0.11/0.17	26/40	1400/1650	283/318	1.5/1.8	40/41	

_ for B / S = Ball Bearing / Sleeve Bearing

CA06042V22BHWF



CA06042V11/V22BHWF



CA06060V22BHWF

