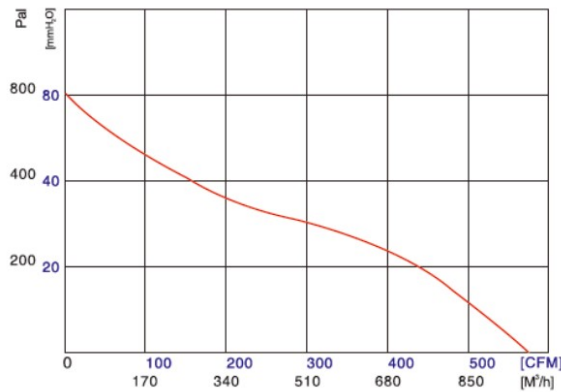
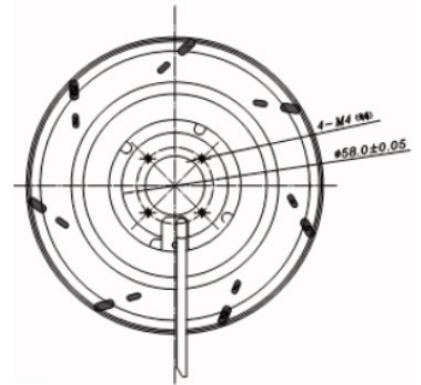
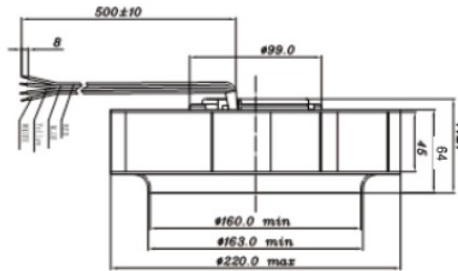
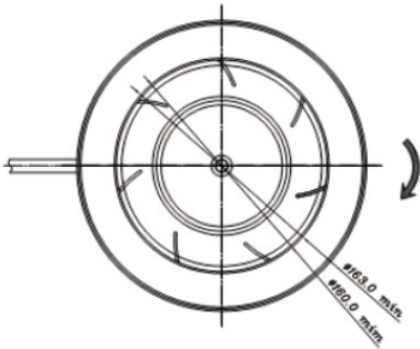


# CFD22649L SERIES

- Size:  $\Phi 220 \times 64\text{mm}$
- Impeller: Plastic & Metal
- Motor: DC Brushless Motor External Rotor
- Operating Temperature:  $-25^{\circ}\text{C}$  to  $+65^{\circ}\text{C}$
- Insulation: Class B
- Connection: Lead Wire
- Bearing: Ball Type
- Weight: 1500g



Model Number	Voltage	Current	Power	Speed	Air Flow	Pressure	Noise
	(V)	(A)	(W)	(RPM)	(CFM)	(mmH <sub>2</sub> O)	(dB(A))
CFD2264V24BHW9L	24	4.5	108	2800	573	61.2	65
CFD2264V48BHW9L	48	2.3	110.4	2800	573	61.2	65

W: Lead Wires

B: Ball Type