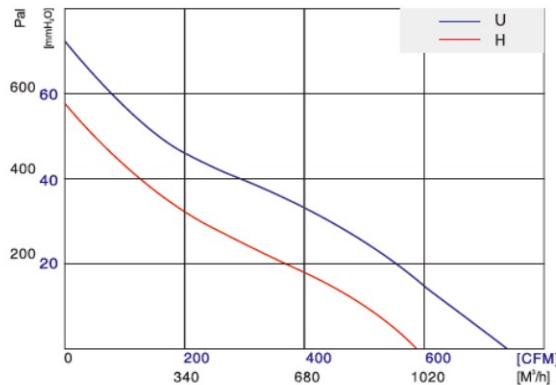
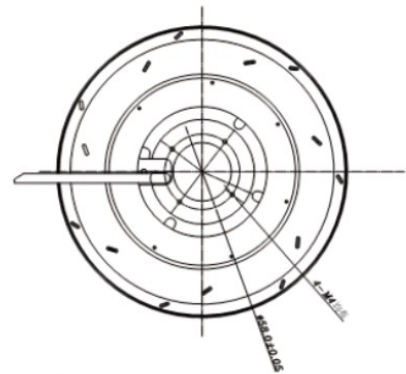
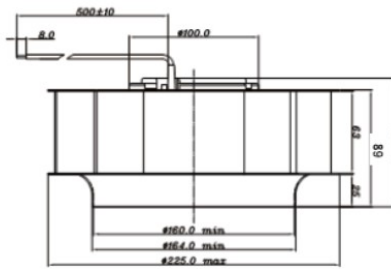
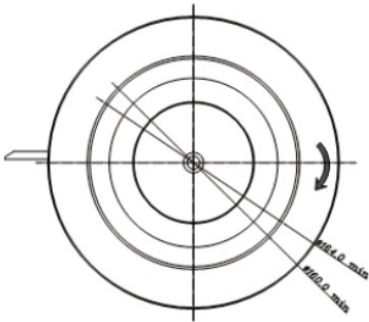


CFD22899L SERIES

- Size: $\Phi 225 \times 89\text{mm}$
- Impeller: Plastic & Metal
- Motor: DC Brushless Motor External Rotor
- Operating Temperature: -25°C to $+65^{\circ}\text{C}$
- Insulation: Class B
- Connection: Lead Wire
- Bearing: Ball Type
- Weight: 1500g ~ 1850g



Model Number	Voltage	Current	Power	Speed	Air Flow	Pressure	Noise
	(V)	(A)	(W)	(RPM)	(CFM)	(mmH ₂ O)	dB(A)
CFD2289V24BHW9L	24	4.5	108	2500	592	59.2	68
CFD2289V48BHW9L	48	2.3	50.3	2500	592	59.2	68
CFD2289V48BUW9L	48	4	192	3100	734	73.2	84

W: Lead Wires
B: Ball Type