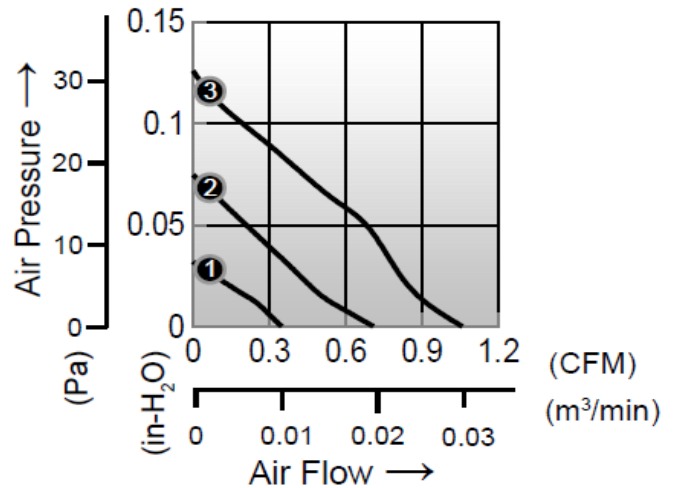
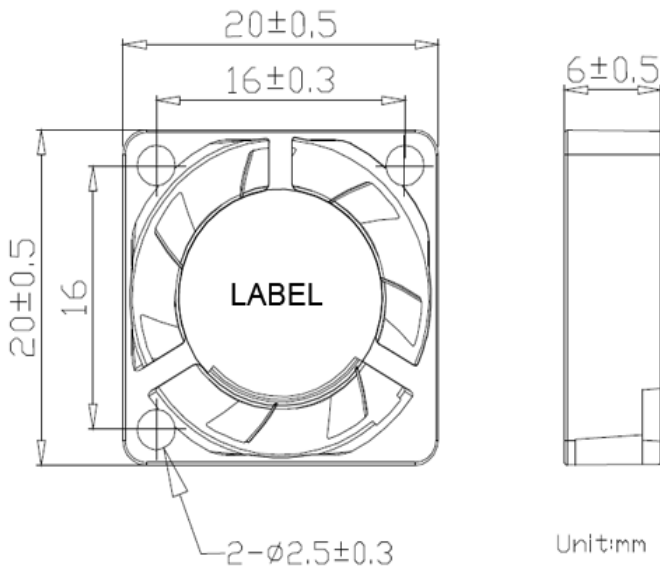


## AD2006GE SERIES

- Size: 20 x 20 x 06mm
- Housing: Plastic (UL 94V-0)
- Impeller: Plastic (UL 94V-0)
- Motor: 4 Pole Brushless DC Motor
- Operating Temperature: -10°C ~ +70°C
- Insulation: Class A
- Weight: 4.0g



Model Number	Voltage	Current	Power	Speed	Air Flow	Pressure	Noise
	(V)	(A)	(W)	(RPM)	(CFM)	(inH2O)	dB(A)
① AD2006V5FLWGE	5	0.02	0.10	7000	0.35	0.03	10
② AD2006V5FMWGE	5	0.05	0.25	10000	0.71	0.07	16
③ AD2006V5FHWGE	5	0.10	0.50	13000	1.06	0.13	16

F : Fluid bearing