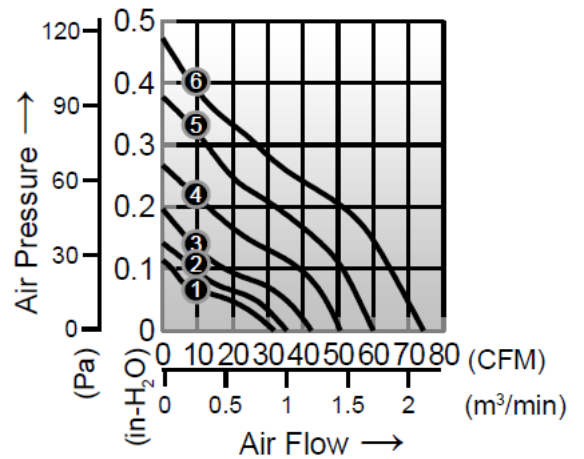
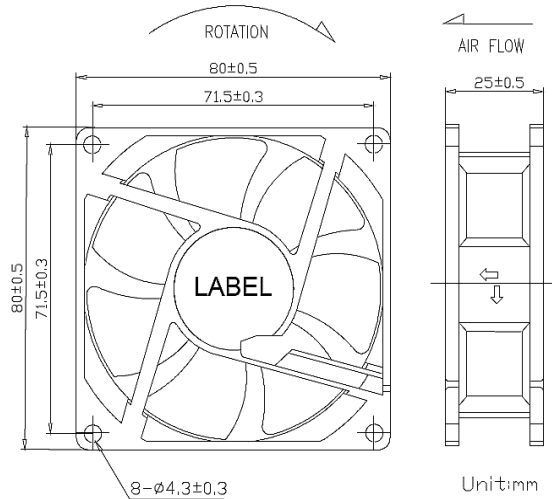


AD8025GE SERIES



- Size: 80 x 80 x 25mm
- Housing: Plastic (UL 94V-0)
- Impeller: Plastic (UL 94V-0)
- Motor: 4 Pole Brushless DC Motor
- Operating Temperature: -10°C ~ +70°C
- Insulation: Class A
- Weight: 80.0g



Model Number	Voltage	Current	Power	Speed	Air Flow	Pressure	Noise
	(V)	(A)	(W)	(RPM)	(CFM)	(inH2O)	dB(A)
① AD8025V05_UWGE	5	0.30	1.50	2700	31.8	0.11	28
① AD8025V12_JWGE	12	0.17	2.04	2700	31.8	0.11	29
① AD8025V24_JWGE	24	0.08	1.92	2700	31.8	0.11	29
② AD8025V12_LWGE	12	0.19	2.28	3000	35.4	0.14	33
② AD8025V24_LWGE	24	0.11	2.64	3000	35.4	0.14	33
② AD8025V48_MWGE	48	0.06	2.88	3000	35.4	0.14	33
③ AD8025V12_MWGE	12	0.23	2.76	3600	42.4	0.20	38
③ AD8025V24_MWGE	24	0.16	3.84	3600	42.4	0.20	38
③ AD8025V48_HWGE	48	0.09	4.32	3600	42.4	0.20	38
④ AD8025V12_HWGE	12	0.32	3.84	4300	50.5	0.27	43
④ AD8025V24_HWGE	24	0.23	5.52	4300	50.5	0.27	43
④ AD8025V48_UWGE	48	0.20	9.60	4300	50.5	0.27	43
⑤ AD8025V12_UWGE	12	0.50	6.00	5000	60.0	0.38	48
⑤ AD8025V24BUWGE	24	0.25	6.00	5000	60.0	0.38	48
⑤ AD8025V48BVWGE	48	0.21	10.08	5000	60.0	0.38	48
⑥ AD8025V12BVWGE	12	0.50	6.00	5700	74.3	0.38	50

_ for B / S / F = Ball Bearing / Sleeve Bearing / Fluid Bearing