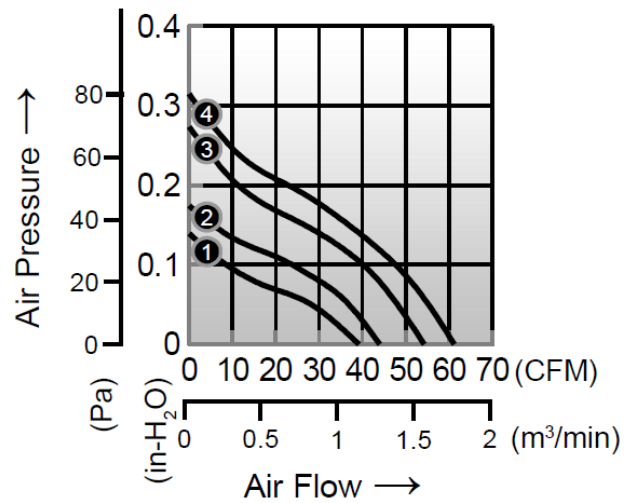
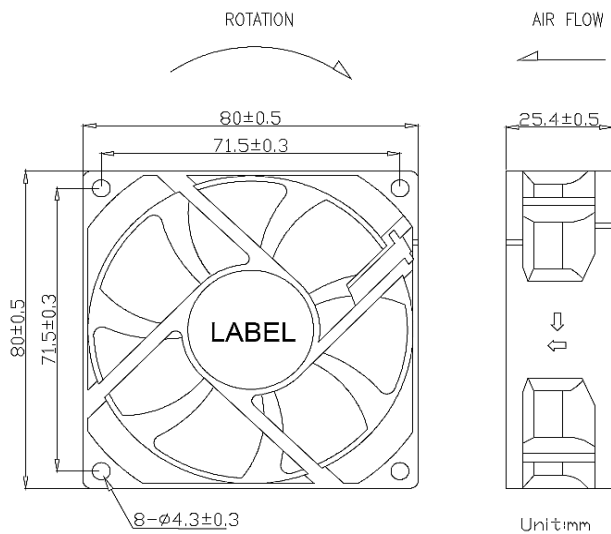


## AD8025GC SERIES

- Size: 80 x 80 x 25mm
- Housing: Plastic (UL 94V-0)
- Impeller: Plastic (UL 94V-0)
- Motor: 4 Pole Brushless DC Motor
- Operating Temperature: -10°C ~ +70°C
- Insulation: Class A
- Weight: 85.0g



Model Number	Voltage	Current	Power	Speed	Air Flow	Pressure	Noise
	(V)	(A)	(W)	(RPM)	(CFM)	(inH <sub>2</sub> O)	dB(A)
① AD8025V12_LWGC	12	0.14	1.68	2700	34.6	0.12	28
① AD8025V24_JWGC	24	0.08	1.92	2700	34.6	0.12	28
① AD8025V48_JWGC	48	0.05	2.40	2700	34.6	0.12	28
② AD8025V12_MWGC	12	0.20	2.40	3000	38.5	0.17	31
② AD8025V24_LWGC	24	0.11	2.64	3000	38.5	0.17	31
② AD8025V48_LWGC	48	0.07	3.36	3000	38.5	0.17	31
③ AD8025V12_HWGC	12	0.24	2.88	3600	54.3	0.28	36
③ AD8025V24_MWGC	24	0.20	4.80	3600	54.3	0.28	36
③ AD8025V48_MWGC	48	0.07	3.36	3600	54.3	0.28	36
④ AD8025V12_UWGC	12	0.44	5.28	4300	61.2	0.32	40
④ AD8025V24_HWGC	24	0.20	4.80	4300	61.2	0.32	40
④ AD8025V48_HWGE	48	0.11	5.28	4300	61.2	0.32	40

\_ for B / F = Ball Bearing / Fluid Bearing