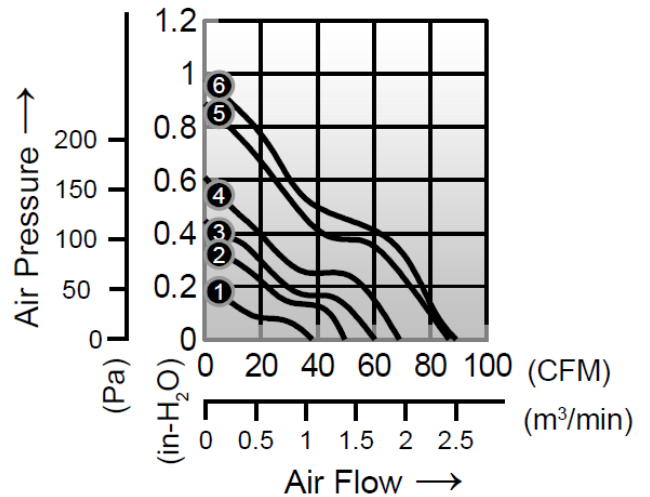
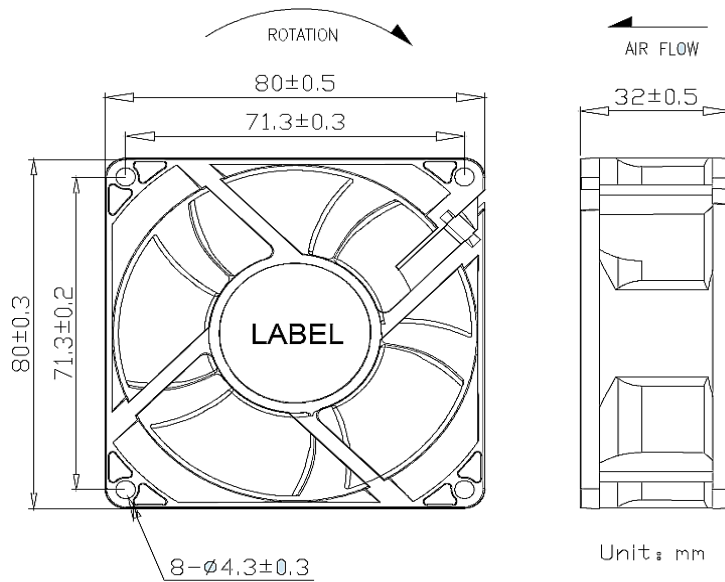


# AD8032GE SERIES



- Size: 80 x 80 x 32mm
- Housing: Plastic (UL 94V-0)
- Impeller: Plastic (UL 94V-0)
- Motor: 4 Pole Brushless DC Motor
- Operating Temperature: -10°C ~ +70°C
- Insulation: Class A
- Weight: 120.0g



Model Number	Voltage	Current	Power	Speed	Air Flow	Pressure	Noise
	(V)	(A)	(W)	(RPM)	(CFM)	(inH2O)	dB(A)
① AD8032V12BJWGE	12	0.15	1.80	3000	38.2	0.20	31
② AD8032V12BLWGE	12	0.20	2.40	4000	49.7	0.35	39
③ AD8032V12BMWGE	12	0.35	4.20	4800	60.4	0.45	45
③ AD8032V24BJWGE	24	0.35	8.40	4800	60.4	0.45	45
④ AD8032V12BHWGE	12	0.50	6.00	5500	69.1	0.61	48
④ AD8032V24BLWGE	24	0.50	12.00	5500	69.1	0.61	48
⑤ AD8032V12BUWGE	12	0.80	9.60	6800	86.7	0.89	54
⑥ AD8032V24BMWGE	24	0.75	18.00	7000	89.2	0.98	55

B = Ball Bearing