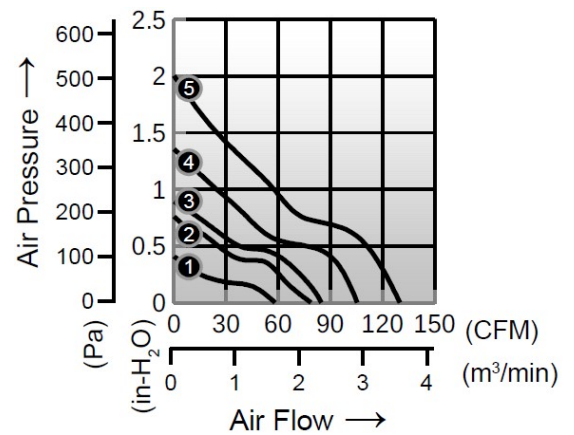
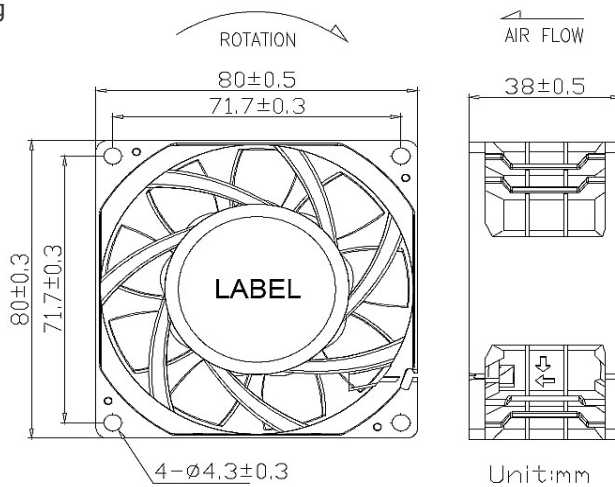


AD8038GB SERIES

- Size: 80 x 80 x 38mm
- Housing: Plastic (UL 94V-0)
- Impeller: Plastic (UL 94V-0)
- Motor: 4 Pole Brushless DC Motor
- Operating Temperature: -10°C ~ +70°C
- Insulation: Class A
- Weight: 210.0g



Model Number	Voltage	Current	Power	Speed	Air Flow	Pressure	Noise
	(V)	(A)	(W)	(RPM)	(CFM)	(inH ₂ O)	dB(A)
① AD8038V12BLWGB	12	0.40	4.80	4200	58.2	0.41	45
① AD8038V24BLWGB	24	0.25	6.00	4200	58.2	0.41	45
① AD8038V48BLWGB	48	0.23	11.04	4200	58.2	0.41	45
② AD8038V12BMWGB	12	0.76	9.12	5600	78.8	0.76	53
② AD8038V24BMWGB	24	0.35	8.40	5600	78.8	0.76	53
② AD8038V48BMWGB	48	0.33	15.84	5600	78.8	0.76	53
③ AD8038V12BHWGB	12	1.00	12.00	6100	84.8	0.89	56
③ AD8038V24BHWGB	24	0.45	10.80	6100	84.8	0.89	56
③ AD8038V48BHWGB	48	0.51	24.48	6100	84.8	0.89	56
④ AD8038V12BUWGB	12	1.50	18.00	7500	105.5	1.36	62
④ AD8038V24BUWGB	24	0.82	19.68	7500	105.5	1.36	62
④ AD8038V48BUWGB	48	0.58	27.84	7500	105.5	1.36	62
⑤ AD8038V12BVWGB	12	2.70	32.40	9000	130.0	2.00	66
⑤ AD8038V24BVWGB	24	1.40	33.60	9000	130.0	2.00	66
⑤ AD8038V48BVWGB	48	0.96	46.08	9000	130.0	2.00	66