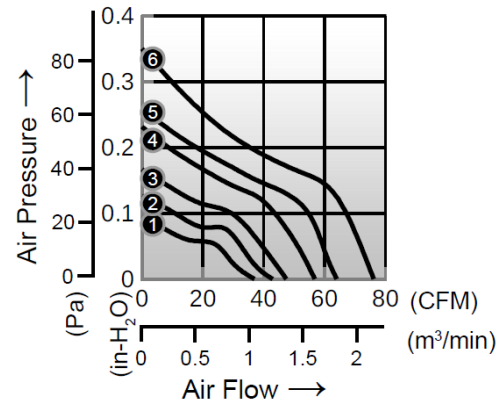
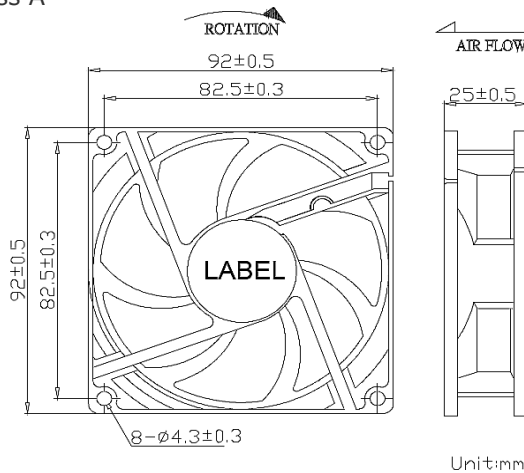


AD9225GE SERIES

- Size: 92 x 92 x 25mm
- Housing: Plastic (UL 94V-0)
- Impeller: Plastic (UL 94V-0)
- Motor: 4 Pole Brushless DC Motor
- Operating Temperature: -10°C ~ +70°C
- Insulation: Class A
- Weight: 85.0g



Model Number	Voltage	Current	Power	Speed	Air Flow	Pressure	Noise
	(V)	(A)	(W)	(RPM)	(CFM)	(inH2O)	dB(A)
① AD9225V12_JWGE	12	0.12	1.44	2100	37.0	0.09	25
① AD9225V24_JWGE	24	0.06	1.44	2100	37.0	0.09	25
① AD9225V48_JWGE	48	0.05	2.40	2100	37.0	0.09	25
② AD9225V12_LWGE	12	0.14	1.68	2450	43.0	0.13	30
② AD9225V24_LWGE	24	0.08	1.92	2450	43.0	0.13	30
② AD9225V48_LWGE	48	0.06	2.88	2450	43.0	0.13	30
③ AD9225V12_MWGE	12	0.17	2.04	2850	47.5	0.17	34
③ AD9225V24_MWGE	24	0.10	2.40	2850	47.5	0.17	34
③ AD9225V48_MWGE	48	0.08	3.84	2850	47.5	0.17	34
④ AD9225V12_HWGE	12	0.20	2.40	3200	56.8	0.23	38
④ AD9225V24_HWGE	24	0.15	3.60	3200	56.8	0.23	38
④ AD9225V48_HWGE	48	0.01	0.48	3200	56.8	0.23	38
⑤ AD9225V12_UWGE	12	0.35	4.20	3800	64.0	0.26	45
⑤ AD9225V24_UWGE	24	0.20	4.80	3800	64.0	0.26	45
⑥ AD9225V12_VWGE	12	0.41	4.92	4200	76.1	0.35	49
⑥ AD9225V24_VWGE	24	0.22	5.28	4200	76.1	0.35	49

_ for B / S / F = Ball Bearing / Sleeve Bearing / Fluid Bearing