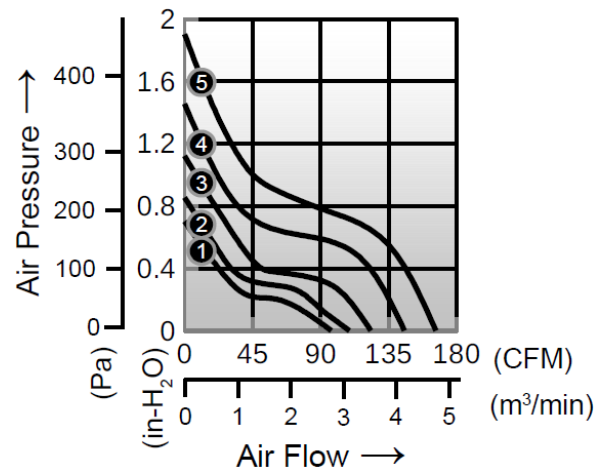
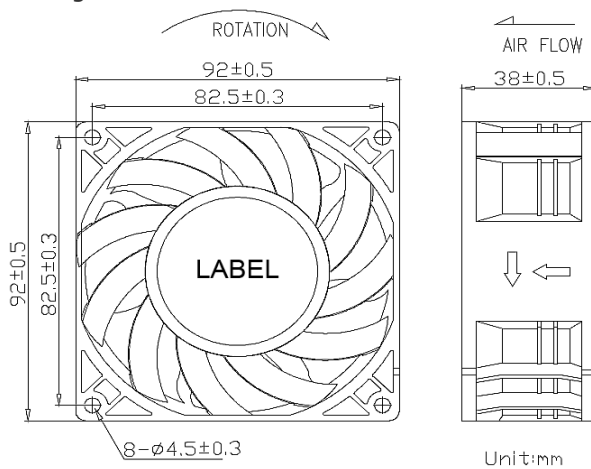


AD9238GB SERIES

- Size: 92 x 92 x 38mm
- Housing: Plastic (UL 94V-0)
- Impeller: Plastic (UL 94V-0)
- Motor: 4 Pole Brushless DC Motor
- Operating Temperature: -10°C ~ +70°C
- Insulation: Class A
- Weight: 200.0g



Model Number	Voltage	Current	Power	Speed	Air Flow	Pressure	Noise
	(V)	(A)	(W)	(RPM)	(CFM)	(inH2O)	dB(A)
① AD9238V12BLWGB	12	0.50	6.00	4300	97.1	0.70	52
① AD9238V24BLWGB	24	0.35	8.40	4300	97.1	0.70	52
① AD9238V48BLWGB	48	0.24	11.52	4300	97.1	0.70	52
② AD9238V12BMWGB	12	0.96	11.52	5000	109.2	0.86	58
② AD9238V24BMWGB	24	0.45	10.80	5000	109.2	0.86	58
② AD9238V48BMWGB	48	0.28	13.44	5000	109.2	0.86	58
③ AD9238V12BHWGB	12	1.20	14.40	6000	123.4	1.12	64
③ AD9238V24BHWGB	24	0.76	18.24	6000	123.4	1.12	64
③ AD9238V48BHWGB	48	0.41	19.68	6000	123.4	1.12	64
④ AD9238V12BUWGB	12	2.50	30.00	7000	145.6	1.46	67
④ AD9238V24BUWGB	24	1.10	26.40	6000	145.6	1.46	67
④ AD9238V48BUWGB	48	0.72	34.56	7000	145.6	1.46	67
⑤ AD9238V12BVWGB	12	2.95	35.40	8000	166.4	1.91	72
⑤ AD9238V24BVWGB	24	1.70	40.80	8000	166.4	1.91	72
⑤ AD9238V48BVWGB	48	0.94	45.12	8000	166.4	1.91	72

B = Ball Bearing