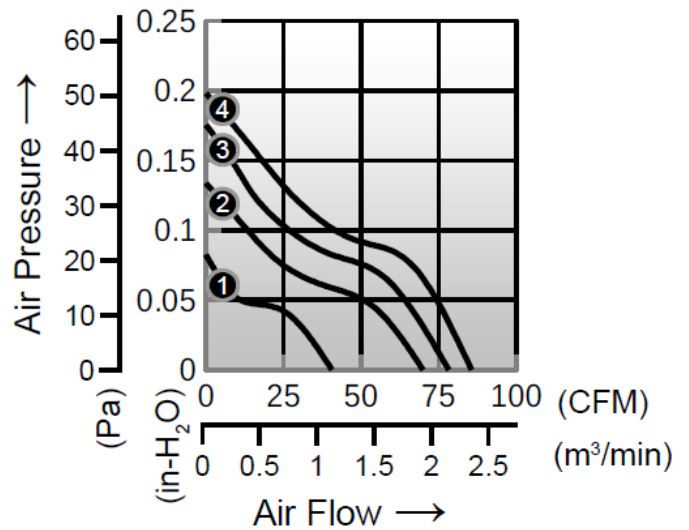
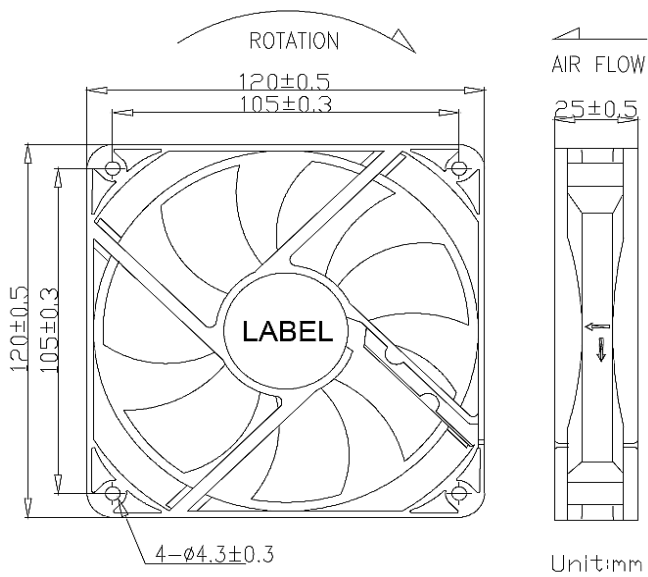


AD1225GE SERIES

- Size: 120 x 120 x 25mm
- Housing: Plastic (UL 94V-0)
- Impeller: Plastic (UL 94V-0)
- Motor: 4 Pole Brushless DC Motor
- Operating Temperature: -10°C ~ +70°C
- Insulation: Class A
- Weight: 152.0g



Model Number	Voltage	Current	Power	Speed	Air Flow	Pressure	Noise
	(V)	(A)	(W)	(RPM)	(CFM)	(inH2O)	dB(A)
① AD1225V12_JWGE	12	0.08	0.96	1200	40.6	0.08	19
① AD1225V24_JWGE	24	0.05	1.20	1200	40.6	0.08	19
② AD1225V12_LWGE	12	0.18	2.16	1900	69.6	0.13	29
② AD1225V24_LWGE	24	0.10	2.40	1900	69.6	0.13	29
③ AD1225V12_MWGE	12	0.20	2.40	2200	78.2	0.18	31
③ AD1225V24_MWGE	24	0.18	4.32	2200	78.2	0.18	31
④ AD1225V12_HWGE	12	0.28	3.36	2500	85.5	0.20	36
④ AD1225V24_HWGE	24	0.26	6.24	2500	85.5	0.20	36

_ for B / S / F = Ball Bearing / Sleeve Bearing / Fluid Bearing