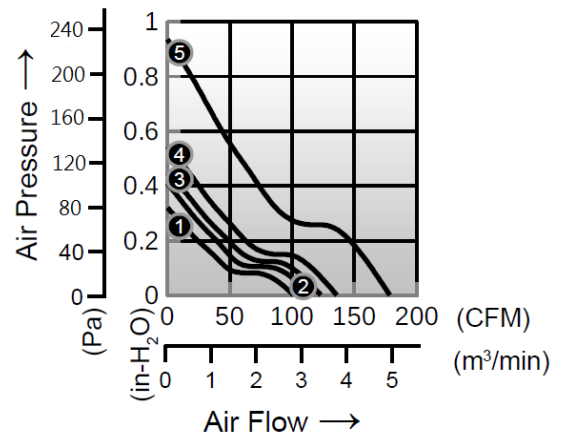
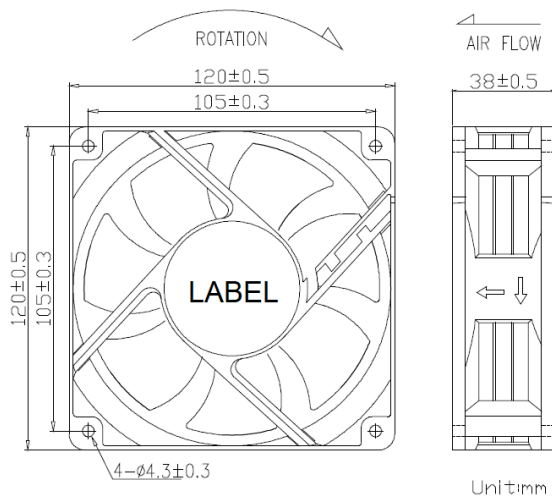


## AD1238GE SERIES

- Size: 120 x 120 x 38mm
- Housing: Plastic (UL 94V-0)
- Impeller: Plastic (UL 94V-0)
- Motor: 4 Pole Brushless DC Motor
- Operating Temperature: -10°C ~ +70°C
- Insulation: Class A
- Weight: 260.0g



Model Number	Voltage	Current	Power	Speed	Air Flow	Pressure	Noise
	(V)	(A)	(W)	(RPM)	(CFM)	(inH2O)	dB(A)
① AD1238V12_MWGE	12	0.18	2.16	2300	101.4	0.32	38
① AD1238V24_LWGE	24	0.14	3.36	2300	101.4	0.32	38
① AD1238V48_IWGE	48	0.10	4.80	2300	101.4	0.32	38
② AD1238V12_HWGE	12	0.40	4.80	2600	114.7	0.41	41
② AD1238V24_MWGE	24	0.30	7.20	2600	114.7	0.41	41
② AD1238V48BJWGE	48	0.14	6.72	2600	114.7	0.41	41
③ AD1238V12BUWGE	12	0.75	9.00	2900	123.2	0.45	44
③ AD1238V24BHWGE	24	0.48	11.52	2900	123.2	0.45	44
③ AD1238V48BLWGE	48	0.25	12.00	2900	123.2	0.45	44
④ AD1238V12BVWGE	12	0.80	9.60	3200	135.9	0.54	48
④ AD1238V24BUWGE	24	0.62	14.88	3200	135.9	0.54	48
④ AD1238V48BMWGE	48	0.30	14.40	3200	135.9	0.54	48
⑤ AD1238V12BWWGE	12	1.55	18.60	4200	178.4	0.94	54
⑤ AD1238V24BVWGE	24	0.85	20.40	4200	178.4	0.94	54
⑤ AD1238V48BHWGE	48	0.48	23.04	4200	178.4	0.94	54

\_ for B / F = Ball Bearing / Fluid Bearing