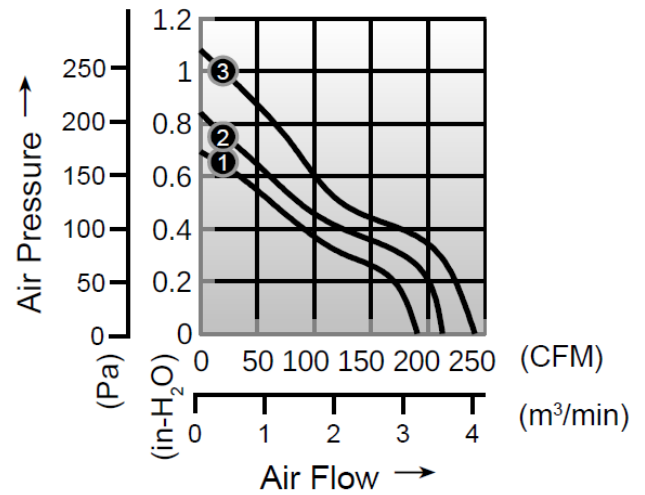
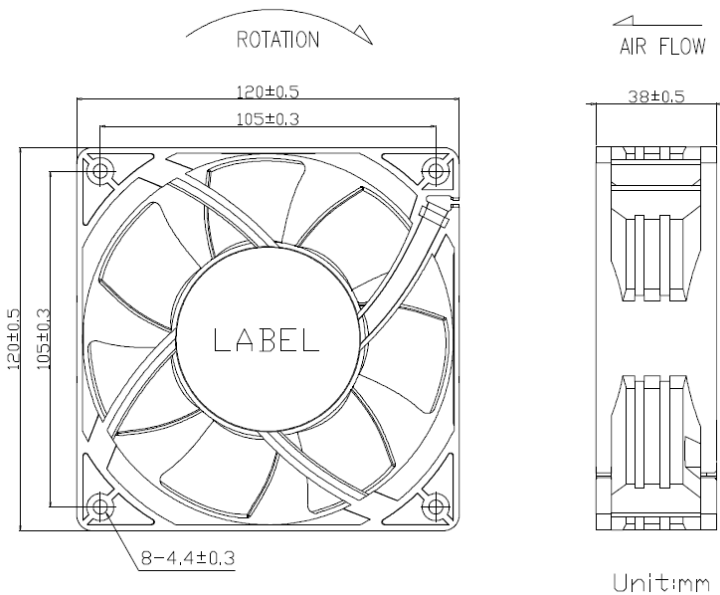


## AD1238GD SERIES

- Size: 120 x 120 x 38mm
- Housing: Plastic (UL 94V-0)
- Impeller: Plastic (UL 94V-0)
- Motor: 4 Pole Brushless DC Motor
- Operating Temperature: -10°C ~ +70°C
- Insulation: Class A
- Weight: 280.0g



Model Number	Voltage	Current	Power	Speed	Air Flow	Pressure	Noise
	(V)	(A)	(W)	(RPM)	(CFM)	(inH2O)	dB(A)
① AD1238V12BJWGD	12	1.50	18.00	4100	190.5	0.69	56
① AD1238V24BJWGD	24	0.70	16.80	4100	190.5	0.69	56
① AD1238V48BJWGD	48	0.41	19.68	4100	190.5	0.69	56
② AD1238V12BLWGD	12	1.75	21.00	4600	212.6	0.84	59
② AD1238V24BLWGD	24	0.85	20.40	4600	212.6	0.84	59
② AD1238V48BLWGD	48	0.47	22.56	4600	212.6	0.84	59
③ AD1238V24BMWGD	24	1.45	34.80	5200	241.0	1.08	62
③ AD1238V48BMWGD	48	0.55	26.40	5200	241.0	1.08	62

B = Ball Bearing