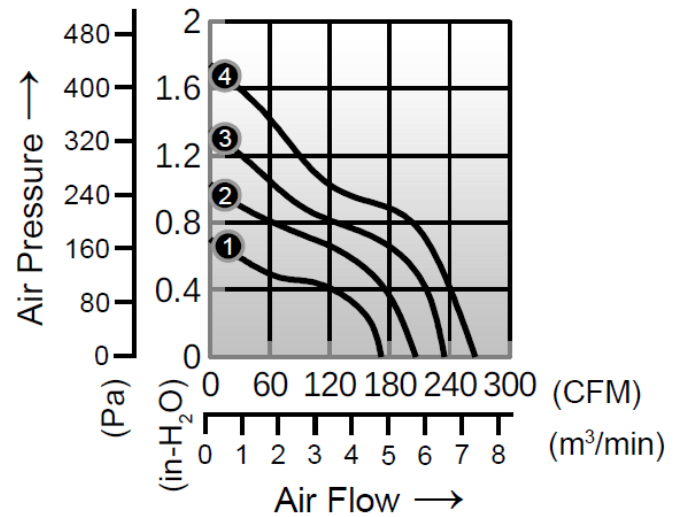
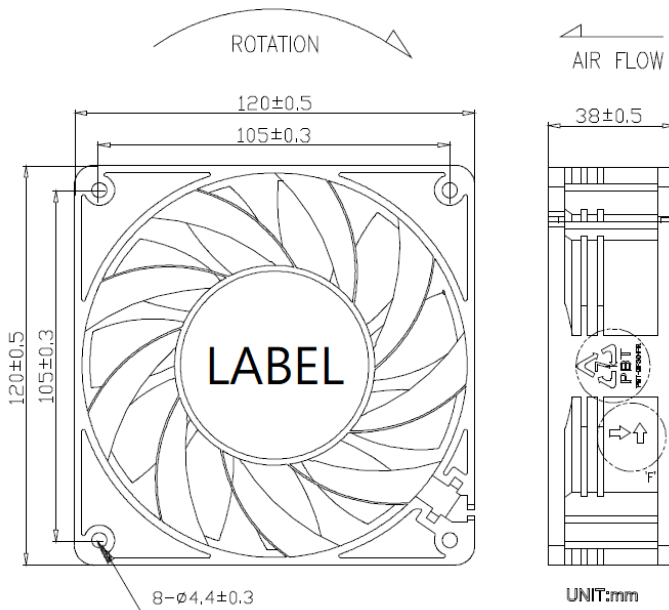


AD1238GB SERIES

- Size: 120 x 120 x 38mm
- Housing: Plastic (UL 94V-0)
- Impeller: Plastic (UL 94V-0)
- Motor: 4 Pole Brushless DC Motor
- Operating Temperature: -10°C ~ +70°C
- Insulation: Class A
- Weight: 450.0g



Model Number	Voltage	Current	Power	Speed	Air Flow	Pressure	Noise
	(V)	(A)	(W)	(RPM)	(CFM)	(inH2O)	dB(A)
① AD1238V12BLWGB	12	2.00	24.00	4000	171.4	0.70	60
① AD1238V24BLWGB	24	1.30	31.20	4000	171.4	0.70	60
① AD1238V48BLWGB	48	0.60	28.80	4000	171.4	0.70	60
② AD1238V12BMWGB	12	2.50	30.00	4800	206.3	1.03	65
② AD1238V24BMWGB	24	1.80	43.20	4800	206.3	1.03	65
② AD1238V48BMWGB	48	0.90	43.20	4800	206.3	1.03	65
③ AD1238V12BHWGB	12	3.88	46.56	5500	234.7	1.35	69
③ AD1238V24BHWGB	24	2.50	60.00	5500	234.7	1.35	69
③ AD1238V48BHWGB	48	1.20	57.60	5500	234.7	1.35	69
④ AD1238V24BUWGB	24	2.72	65.28	6200	265.8	1.74	72
④ AD1238V48BUWGB	48	1.30	62.40	6200	265.8	1.74	72

B = Ball Bearing