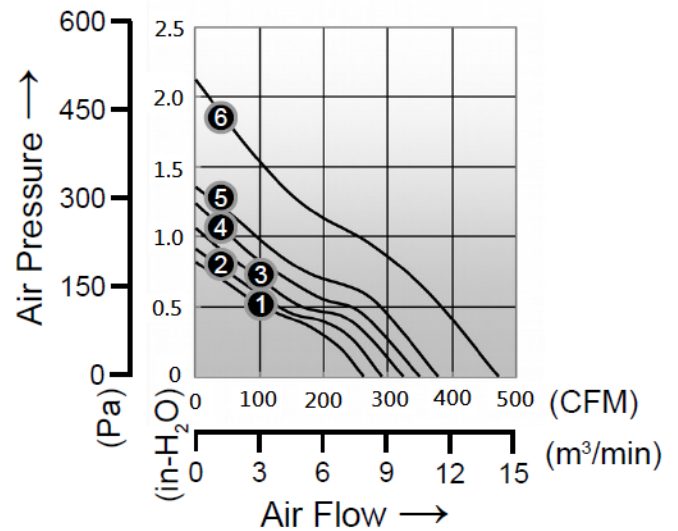
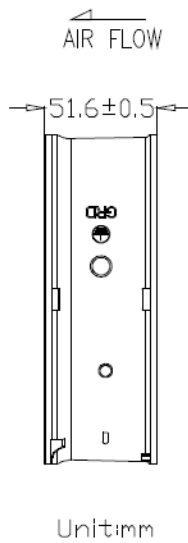
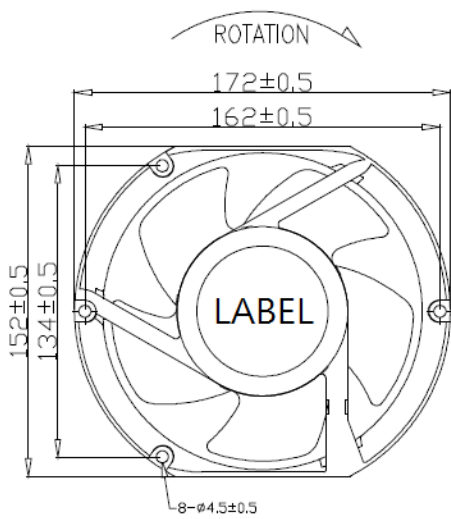


AD1751GE SERIES



- Size: 172 x 152 x 51mm
- Housing: Metal Frame
- Impeller: Plastic (UL 94V-0)
- Motor: 4 Pole Brushless DC Motor
- Operating Temperature: -10°C ~ +70°C
- Insulation: Class A
- Weight: 610.0g



Model Number	Voltage	Current	Power	Speed	Air Flow	Pressure	Noise
	(V)	(A)	(W)	(RPM)	(CFM)	(inH2O)	dB(A)
① AD1751V24BJWGE	24	0.75	18.00	3500	263.0	0.82	57
① AD1751V48BJWGE	48	0.50	24.00	3500	263.0	0.82	57
② AD1751V24BLWGE	24	1.00	24.00	4000	291.0	0.91	62
② AD1751V48BLWGE	48	0.50	24.00	4000	291.0	0.91	62
③ AD1751V24BMWGE	24	1.40	33.60	4400	323.0	1.06	64
③ AD1751V48BMWGE	48	0.70	33.60	4400	323.0	1.06	64
④ AD1751V24BHWGE	24	1.60	38.40	4800	350.0	1.24	66
④ AD1751V48BHWGE	48	0.80	38.40	4800	350.0	1.24	66
⑤ AD1751V24BUWGE	24	2.40	57.60	5200	38.0	1.36	68
⑤ AD1751V48BUWGE	48	1.00	48.00	5200	378.0	1.36	68
⑥ AD1751V48BVWGE	48	2.30	110.40	6500	472.5	2.12	73

B = Ball Bearing