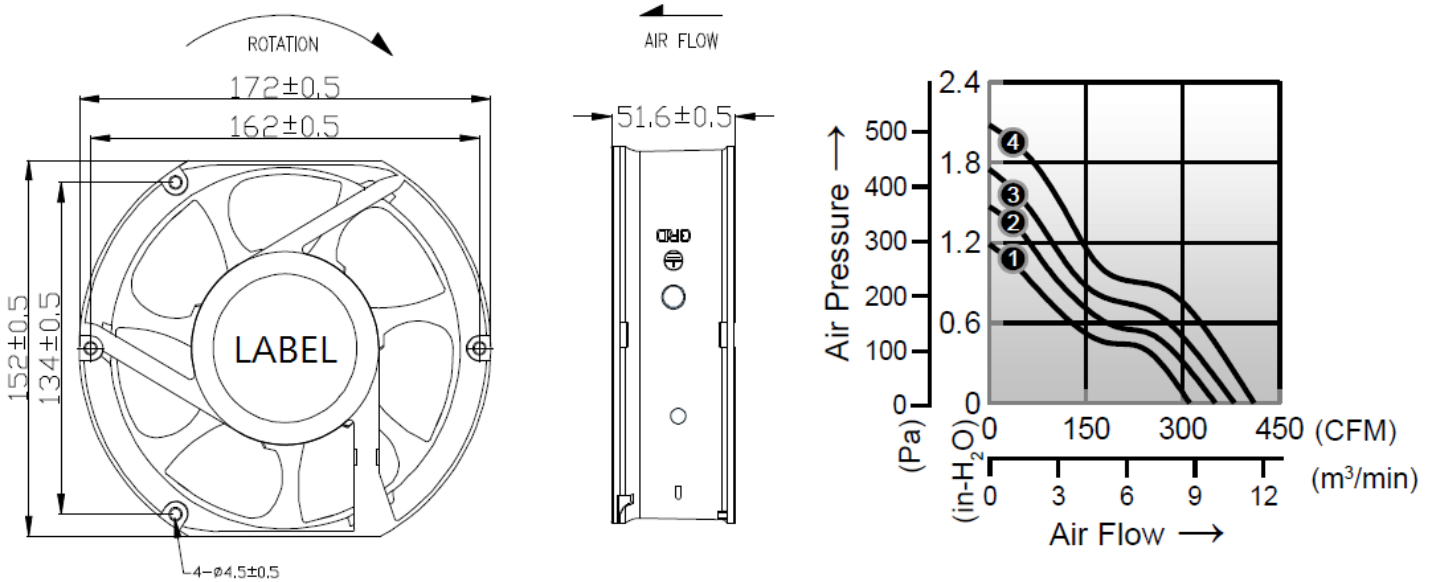


AD1751GF SERIES



- Size: 172 x 152 x 51mm
- Housing: Metal Frame
- Impeller: Plastic (UL 94V-0)
- Motor: 4 Pole Brushless DC Motor
- Operating Temperature: -10°C ~ +70°C
- Insulation: Class A
- Weight: 700.0g



Model Number	Voltage	Current	Power	Speed	Air Flow	Pressure	Noise
	(V)	(A)	(W)	(RPM)	(CFM)	(inH ₂ O)	dB(A)
① AD1751V24BLWGF	24	1.00	24.00	4000	310.6	1.19	60
① AD1751V48BLWGF	48	0.71	34.08	4000	310.6	1.19	60
② AD1751V24BMWGF	24	1.40	33.60	4400	350.5	1.47	62
② AD1751V48BMWGF	48	0.88	42.24	4400	350.5	1.47	62
③ AD1751V24BHWGF	24	1.60	38.40	4800	380.3	1.75	64
③ AD1751V48BHWGF	48	1.22	58.56	4800	380.3	1.75	64
④ AD1751V24BUWGF	24	2.40	57.60	5200	410.5	2.08	67
④ AD1751V48BUWGF	48	1.52	72.96	5200	410.5	2.08	67

B = Ball Bearing