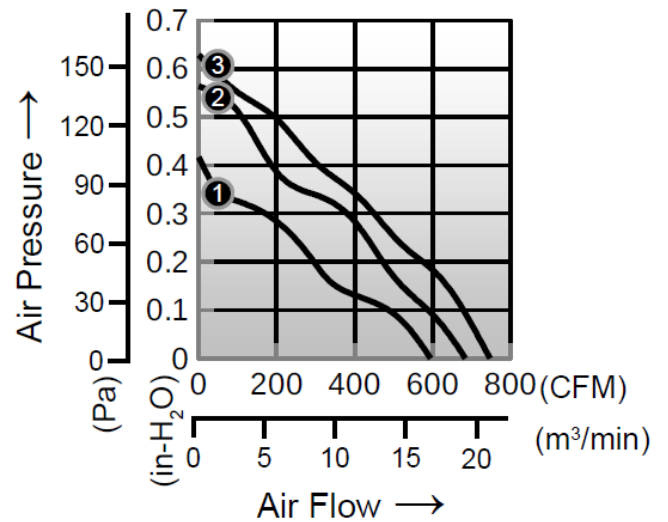
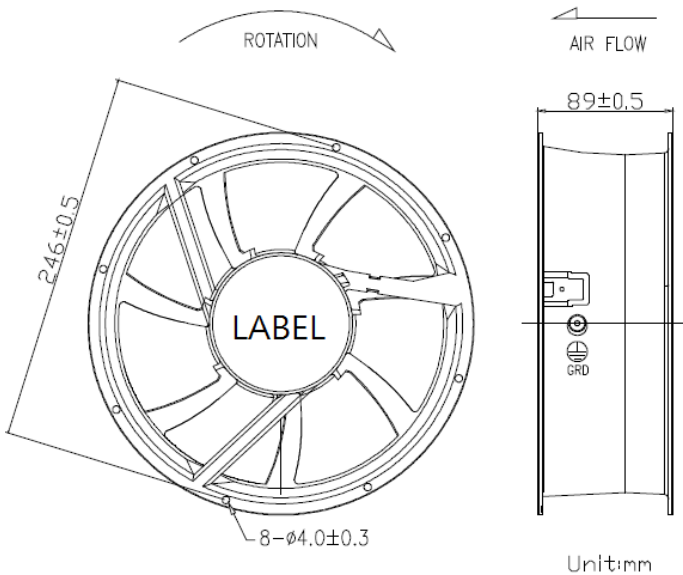


AD25489GE SERIES

- Size: $\varnothing 254 \times 89\text{mm}$
- Housing: Metal Frame
- Impeller: Plastic (UL 94V-0)
- Motor: 4 Pole Brushless DC Motor
- Operating Temperature: $-10^{\circ}\text{C} \sim +70^{\circ}\text{C}$
- Insulation: Class A
- Weight: 1600.0g



Model Number	Voltage	Current	Power	Speed	Air Flow	Pressure	Noise
	(V)	(A)	(W)	(RPM)	(CFM)	(inH ₂ O)	dB(A)
① AD25489V24BLWGE	24	0.80	19.20	1400	595.0	0.49	59
① AD25489V48BLWGE	48	0.63	30.24	1400	595.0	0.49	59
② AD25489V24BMWGE	24	1.30	31.20	1700	684.0	0.56	63
② AD25489V48BMWGE	48	1.00	48.00	1700	684.0	0.56	63
③ AD25489V24BHWGE	24	2.20	52.80	2300	747.0	0.63	71
③ AD25489V48BHWGE	48	1.50	72.00	2300	747.0	0.63	71

B = Ball Bearing