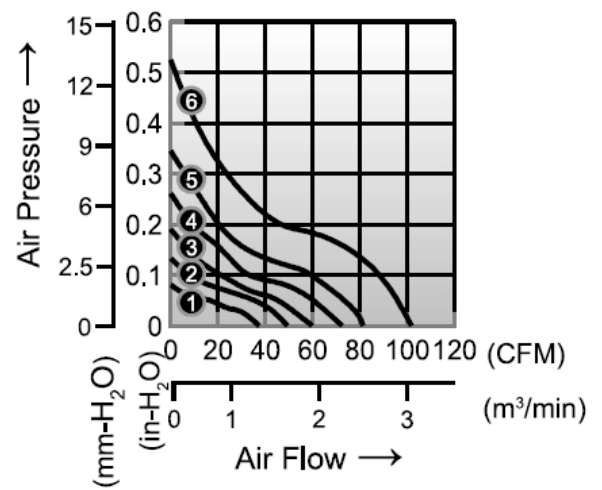
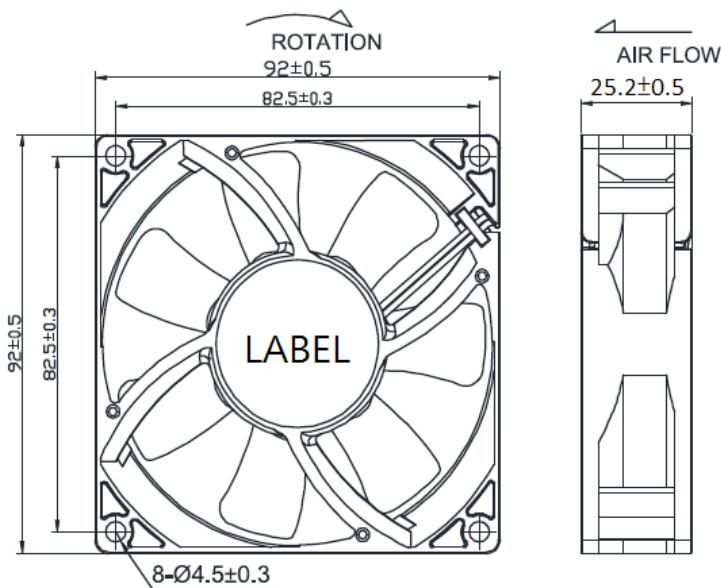


# AD9225GD SERIES

- Size: 92 x 92 x 25mm
- Housing: Plastic (UL 94V-0)
- Impeller: Plastic (UL 94V-0)
- Motor: 4 Pole Brushless DC Motor
- Operating Temperature: -10°C ~ +70°C
- Insulation: Class A
- Weight: 89.0g



Model Number	Voltage	Current	Power	Speed	Air Flow	Pressure	Noise
	(V)	(A)	(W)	(RPM)	(CFM)	(inH <sub>2</sub> O)	dB(A)
① AD9225V12BJWGD	12	0.10	1.20	1800	37.3	0.08	25
① AD9225V24BJWGD	24	0.08	1.92	1800	37.3	0.08	25
② AD9225V12BLWGD	12	0.12	1.44	2300	49.5	0.13	31
② AD9225V24BLWGD	24	0.10	2.40	2300	49.5	0.13	31
③ AD9225V12BMWGD	12	0.21	2.57	2800	59.9	0.19	37
③ AD9225V24BMWGD	24	0.12	2.88	2800	59.9	0.19	37
④ AD9225V12BHWGD	12	0.32	3.84	3300	72.7	0.26	42
④ AD9225V24BHWGD	24	0.18	4.32	3300	72.7	0.26	42
⑤ AD9225V12BUWGD	12	0.40	4.80	3800	81.5	0.34	46
⑤ AD9225V24BUWGD	24	0.25	6.00	3800	81.5	0.34	46
⑥ AD9225V12BVWGD	12	0.75	9.00	4800	102.6	0.40	53
⑥ AD9225V24BVWGD	24	0.40	9.60	4800	102.6	0.40	53

B = Ball Bearing