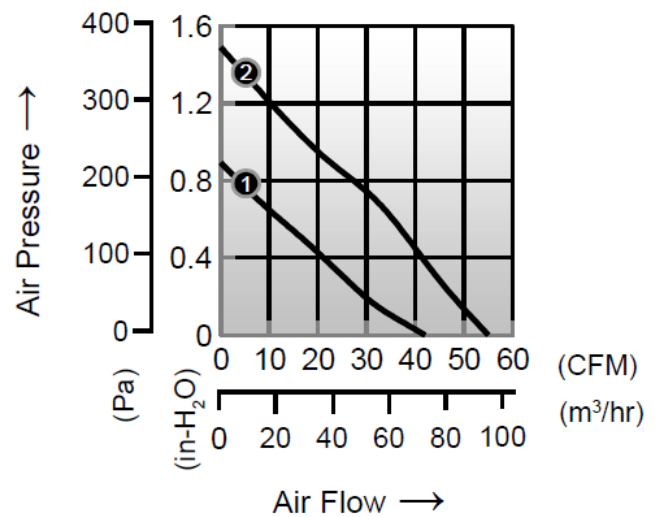
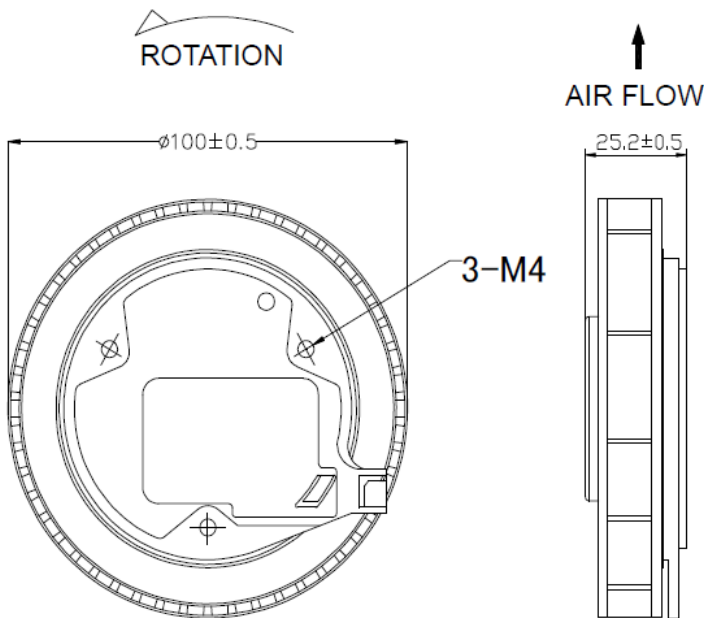


CFD10025 SERIES

- Size: $\varnothing 100 \times 25\text{mm}$
- Impeller: Plastic (UL 94V-0)
- Motor: DC Brushless Motor External Rotor
- Operating Temperature: -10°C to $+ 70^{\circ}\text{C}$
- Insulation: Class B
- Connection: Lead Wire
- Bearing: Ball Type
- Weight: 130g



Model Number	Voltage	Current	Power	Speed	Air Flow	Pressure	Noise
	(V)	(A)	(W)	(RPM)	(CFM)	(mmH2O)	dB(A)
① CFD10025V12BHWGN	12	0.5	6.0	4300	42.0	22.6	53
② CFD10025V12BUHWGN	12	1.1	13.2	5300	55.0	37.8	58

W: Lead Wires
B: Ball Type