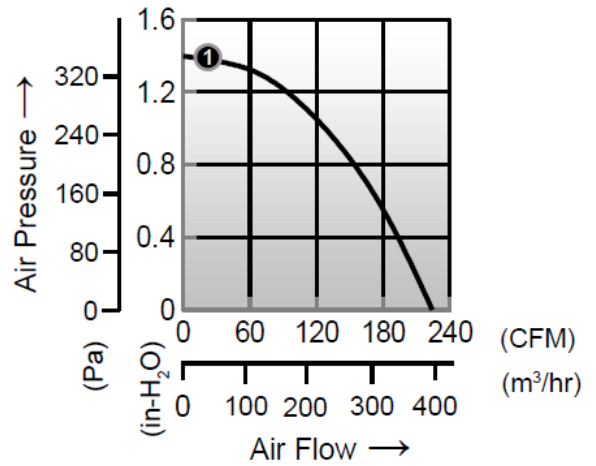
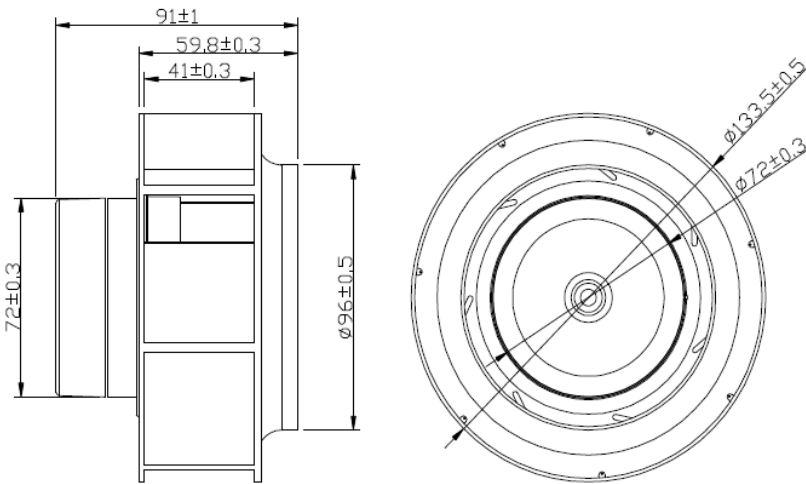


## CFD13391 SERIES

- Size: Ø133 x 91mm
- Impeller: Plastic (UL 94V-0)
- Motor: DC Brushless Motor External Rotor
- Operating Temperature: -10°C to + 70°C
- Insulation: Class B
- Connection: Lead Wire
- Bearing: Ball Type
- Weight: 700g



Model Number	Voltage	Current	Power	Speed	Air Flow	Pressure	Noise
	(V)	(A)	(W)	(RPM)	(CFM)	(mmH2O)	dB(A)
① CFD13391V24BUWGN	24	1.6	38.4	4000	224.0	35.56	65
① CFD13391V48BUWGN	48	0.8	38.4	5000	224.0	35.56	65

W: Lead Wires  
B: Ball Type