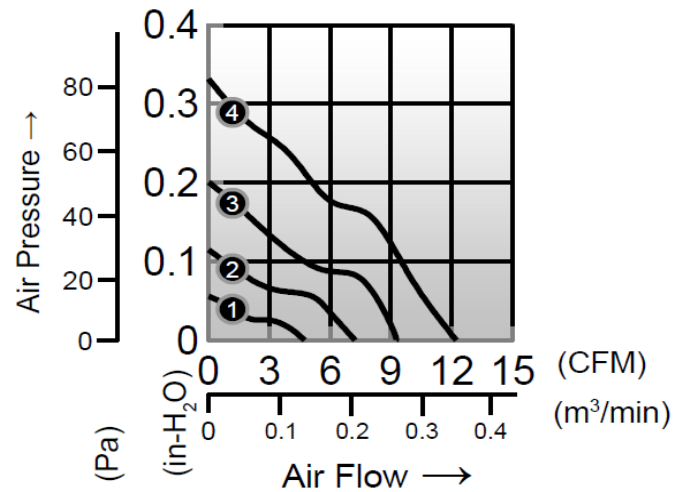
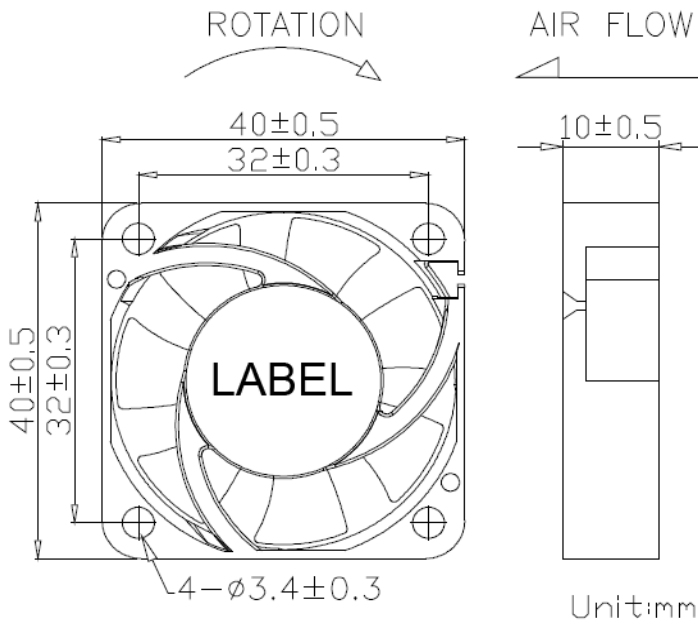


AD4010GE SERIES

- Size: 40 x 40 x 10mm
- Housing: Plastic (UL 94V-0)
- Impeller: Plastic (UL 94V-0)
- Motor: 4 Pole Brushless DC Motor
- Operating Temperature: -10°C ~ +70°C
- Insulation: Class A
- Weight: 20.0g



Model Number	Voltage	Current	Power	Speed	Air Flow	Pressure	Noise
	(V)	(A)	(W)	(RPM)	(CFM)	(inH ₂ O)	dB(A)
① AD4010V05_LWGE	5	0.14	0.70	4000	4.8	0.06	21
① AD4010V12_MWGE	12	0.10	1.20	4000	4.8	0.06	21
① AD4010V24_LWGE	24	0.06	1.44	4000	4.8	0.06	21
② AD4010V05_MWGE	5	0.18	0.90	6000	7.2	0.11	26
② AD4010V12_HWGE	12	0.11	1.32	6000	7.2	0.11	26
③ AD4010V05_HWGE	5	0.29	1.45	8000	9.3	0.20	35
③ AD4010V12_UWGE	12	0.14	1.68	8000	9.3	0.20	33
③ AD4010V24_MWGE	24	0.09	2.16	8000	9.3	0.20	33
④ AD4010V12_VWGE	12	0.18	2.16	10000	12.2	0.33	39
④ AD4010V24_HWGE	24	0.09	2.16	10000	12.2	0.33	39

_ for B / F / S = Ball Bearing / Fluid Bearing / Sleeve Bearing