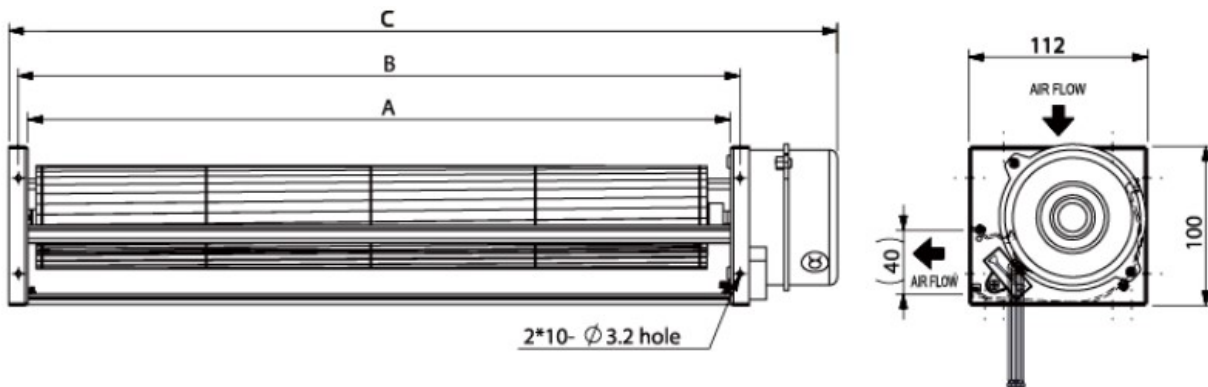


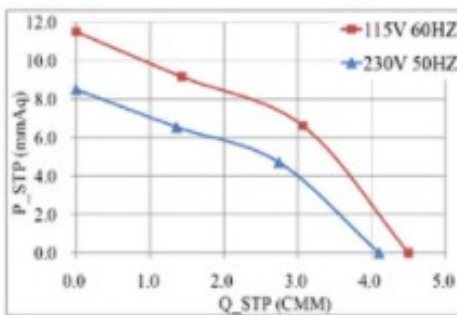
CA065C SERIES

- Size: $\phi 65\text{mm}$
- Housing / Impeller: Aluminum / Aluminum
- Motor: AC Capacity Type
- Operating Temperature: $0^{\circ}\text{C} \sim +45^{\circ}\text{C}$
- Insulation: Class A

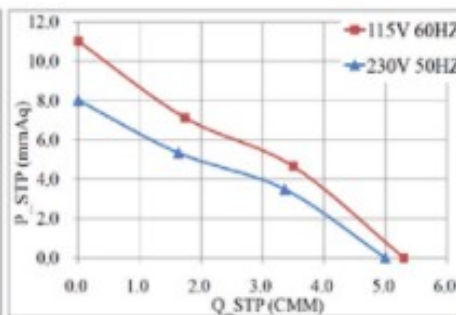


Model Number	Size (mm)			Voltage (V)	Frequency (Hz)	Current (A)	Power (W)	Speed (RPM)	Air Flow (CFM)	Pressure (mmAq)	Noise dB(A)	Weight (kg)
	A	B	C									
①CA06518V__BHWC	200	212	283	115	60	0.33	36	2800	159	11.5	57	1700
				220	50/60	0.17/0.18	30/35	2450/2700	141/152	8.5/11.5	54/56	
				230	50	0.17	33	2500	145	8.5	54	
②CA06524V__BHWC	260	272	343	115	60	0.38	41	2500	187	11	56	17500
				220	50/60	0.18/0.21	34/40	2250/2350	173/177	8.0/9.5	53/54	
				230	50	0.19	37	2300	177	8	54	
③CA06530V__BHWC	320	332	403	115	60	0.41	44	2250	220	9	55	1850
				220	50/60	0.20/0.22	38/44	2050/2050	205/205	7.0/7.5	54/54	
				230	50	0.2	40	2100	216	7.5	54	

CA06518C



CA06524C



CA06530C

