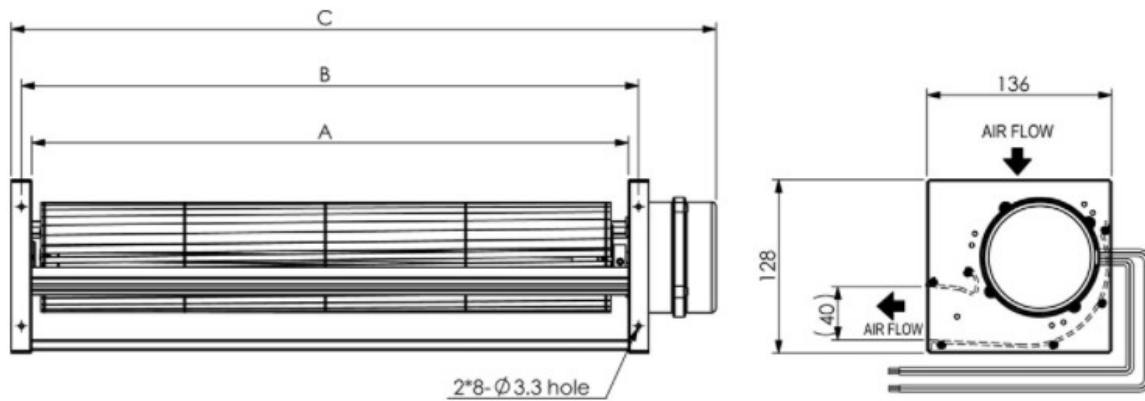


CAE065G SERIES (AC to DC Type)

- Size: $\phi 65\text{mm}$
- Housing / Impeller: Aluminum / Aluminum
- Motor: AC to DC Capacity Type
- Operating Temperature: $0^{\circ}\text{C} \sim +45^{\circ}\text{C}$
- Insulation: Class A



Model Number	Size (mm)			Voltage (V)	Frequency (Hz)	Current (A)	Power (W)	Speed (RPM)	Air Flow (CFM)	Pressure (mmAq)	Noise dB(A)	Weight (g)
	A	B	C									
① CAE06536V22BHWG	380	392	458	200 ~ 240	50, 60	0.38 ~ 0.34	38	2550	300	11.8	58	1550
② CAE06542V22BHWG	440	452	518					2400	336	10.2	58	1650
③ CAE06550V22BHWG	520	532	598					2250	389	8.7	57	1700
④ CAE06560V22BHWG	620	632	698					2000	435	7.8	57	1850
⑤ CAE06570V22BHWG	720	732	798					1950	495	7.3	56	2000

CAE065G

