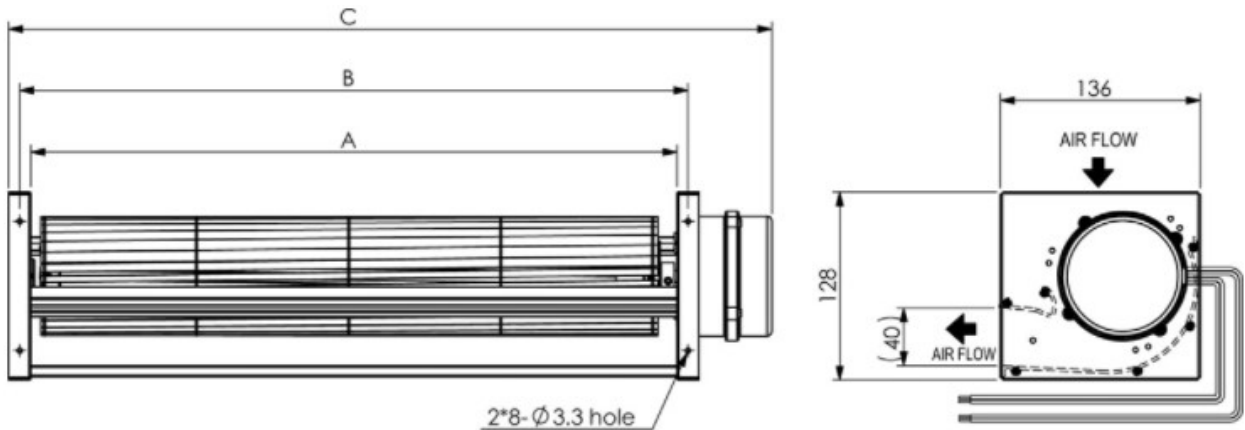


CAE060L SERIES (AC to DC Type)

- Size: $\phi 60\text{mm}$
- Housing / Impeller: Aluminum / Aluminum
- Motor: AC to DC Capacity Type
- Operating Temperature: $0^{\circ}\text{C} \sim +45^{\circ}\text{C}$
- Insulation: Class A



Model Number	Size (mm)			Voltage (V)	Frequency (Hz)	Current (A)	Power (W)	Speed (RPM)	Air Flow (CFM)	Pressure (mmAq)	Noise dB(A)	Weight (g)
	A	B	C									
① CAE06042V22BHWL	310	325	405	200 ~ 240	50, 60	0.38 ~ 0.34	37	2600	307	8.5	59	1450
② CAE06052V22BHWL	530	545	620					2500	364	7	58	1600
③ CAE06060V22BHWL	610	625	700					2400	396	6.2	57	1650
④ CAE06070V22BHWL	710	725	800					2250	442	5.5	57	1750

CAE060L

