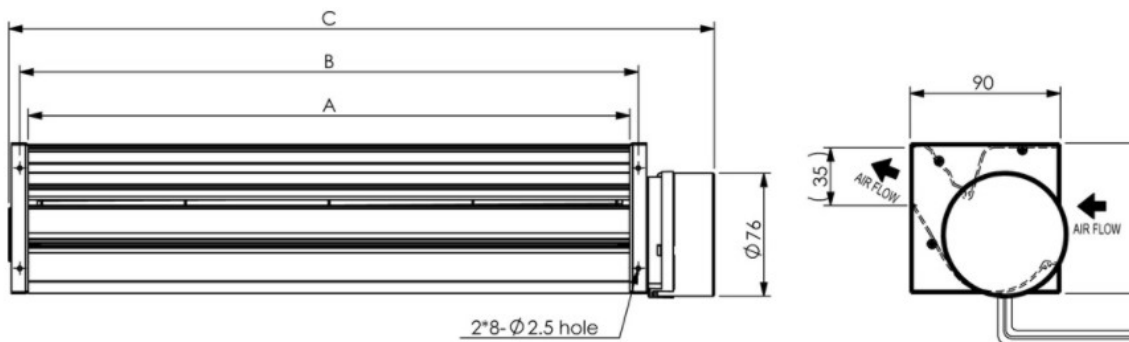


## CD050B3B SERIES

- Size :  $\phi 50\text{mm}$
- Housing / Impeller : Aluminum / Aluminum
- Motor : DC Brushless 3-Phase Motor
- Operating Temperature :  $0^{\circ}\text{C} \sim +45^{\circ}\text{C}$
- Insulation : Class A
- Additional Function: PWM or Voltage Control



Model Number	Size (mm)			Voltage (V)	Current (A)	Power (W)	Speed (RPM)	Air Flow (CFM)	Pressure (mmAq)	Noise dB(A)	Weight (g)
	A	B	C								
① CD05035V24B3HWP	360	370	422	24	0.70	16.8	2600	148	5.1	51	900
② CD05042V4B3HWP	430	440	492		0.74	17.76	2350/2450	177	4.5	51	1000
③ CD05052V24B3HWP	530	540	592		0.78	18.72	2400	205	3.8	50	1100
④ CD05060V24B3HWP	610	620	672		0.80	19.2	2350	237	3.6	49	1200

CD050V24B3B

