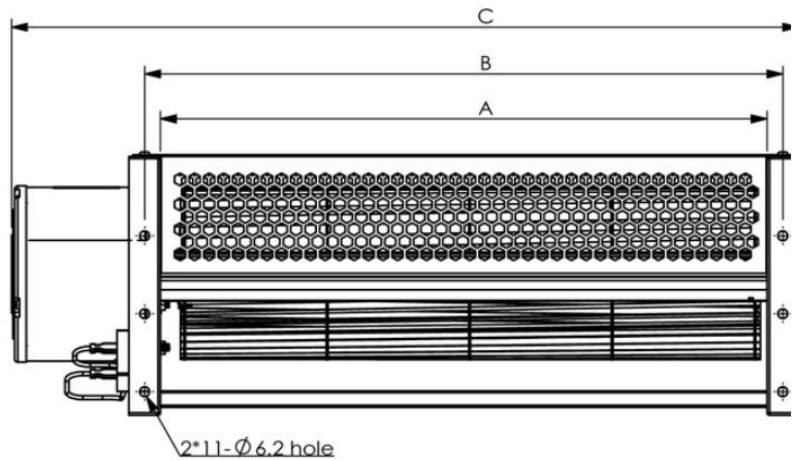
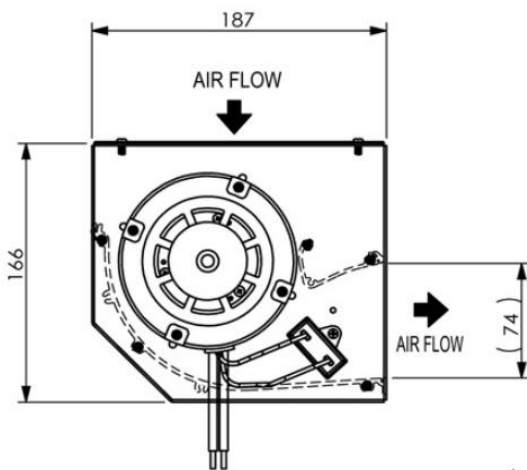


CA110G SERIES

- Size: $\phi 110\text{mm}$
- Housing / Impeller: Aluminum / Aluminum
- Motor: AC Capacity Type
- Operating Temperature: $0^{\circ}\text{C} \sim +45^{\circ}\text{C}$
- Insulation: Class A



Model Number	Size (mm)			Voltage (V)	Frequency (Hz)	Current (A)	Power (W)	Speed (RPM)	Air Flow (CFM)	Pressure (mmH2O)	Noise dB(A)	Weight (kg)
	A	B	C									
CA11037V22BHWG	385	405	500	220	50/60	0.35/0.38	69/76	1050/1100	459/495	5.5/7.5	54/55	5.1
CA11048V22BHWG	495	515	610	220	50/60	0.46/0.53	95/113	1100/1150	671/707	5.5/8.0	59/60	5.9
CA11060V22BHWG	625	645	752	220	50/60	0.68/0.93	144/193	1250/1350	954/1025	7.0/9.0	62/64	7.3
CA11067V22BHWG	685	705	812	220	50/60	0.70/0.95	146/196	1200/1300	1060/1131	7.0/8.5	62/63	7.6
CA11079V22BHWG	810	830	937	220	50/60	0.75/0.96	157/203	1150/1200	1131/1201	6.5/8.0	62/63	8.3
CA11088V22BHWG	897	917	1024	220	50/60	0.78/1.00	164/210	1100/1150	1021/1272	6.0/7.0	61/62	8.6

