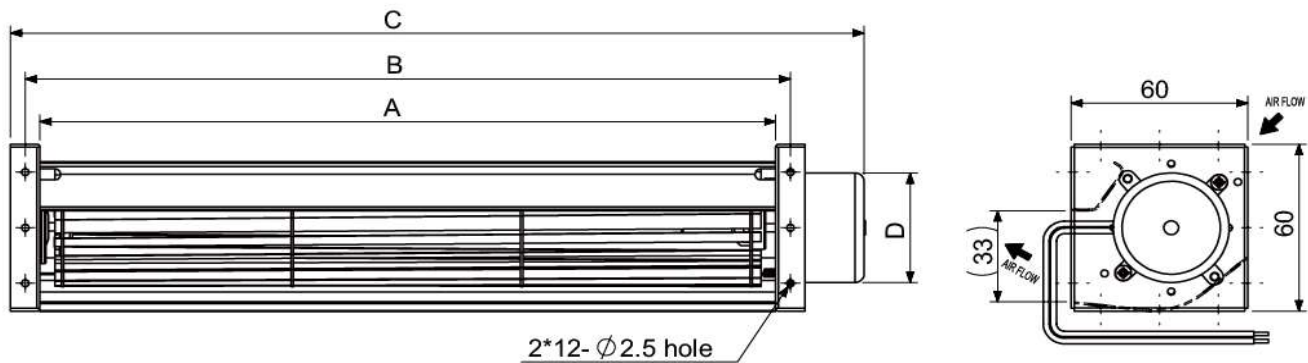


CD043E, CD043B3E SERIES

- Size : $\phi 43\text{mm}$
- Housing / Impeller : Aluminum / Aluminum
- Motor : * CD043E : DC Brushless Motor
* CD040B3E : DC Brushless 3-Phase Motor
- Operating Temperature : $0^{\circ}\text{C} \sim +45^{\circ}\text{C}$
- Insulation : Class A



Model Number	Size (mm)				Voltage (V)	Current (A)	Power (W)	Speed (RPM)	Air Flow (CFM)	Pressure (mmH ₂ O)	Noise (dB(A))	Weight (g)
	A	B	C	D								
①CD04309V12BHWE	98	108	133	31	12	0.25	3.00	2700	21	1.4	39	220
①CD04309V24BHWE					24	0.18	4.32					
②CD04315V12B3HWE	160	170	195	31	12	0.29	3.48	2300	39	1.2	38	240
②CD04315V24B3HWE					24	0.17	4.08					
③CD04319V12B3HWE	198	208	233	31	12	0.32	3.84	2050	46	1.1	35	265
③CD04319V24B3HWE					24	0.18	4.32					
④CD04324V12B3HWE	250	260	290	38	12	0.55	6.60	2750	74	1.3	43	365
④CD04324V24B3HWE					24	0.25	6.00					
⑤CD04329V24B3HWE	300	310	340	38	24	0.33	7.92	2500	88	1.6	38	420
⑥CD04335V24B3HWE	360	370	400	38	24	0.35	8.40	2400	99	1.6	37	440

_for B/S=Ball Bearing/Sleeve Bearing

