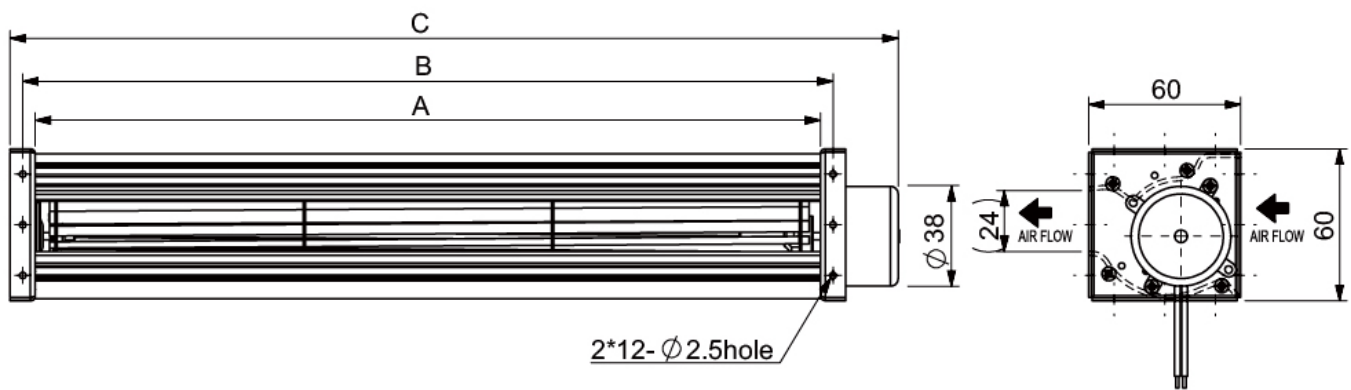


CD040B3M SERIES

- Size : $\phi 40\text{mm}$
- Housing / Impeller : Aluminum / Aluminum
- Motor : DC Brushless 3-Phase Motor
- Operating Temperature : $0^{\circ}\text{C} \sim +45^{\circ}\text{C}$
- Insulation : Class A



Model Number	Size (mm)			Voltage (V)	Current (A)	Power (W)	Speed (RPM)	Air Flow (CFM)	Pressure (mmH ₂ O)	Noise dB(A)	Weight (g)
	A	B	C								
①CD04030V12B3HWM	310	320	351	12	0.40	4.80	3250	57	1.4	42	455
①CD04030V24B3HWM				24	0.20	4.80					
②CD04035V12B3HWM	360	370	401	12	0.43	5.16	3100	67	1.3	40	500
②CD04035V24B3HWM				24	0.21	5.04					
③CD04040V12B3HWM	410	420	451	12	0.46	5.52	3000	71	1.2	40	540
③CD04040V24B3HWM				24	0.22	5.28					

_for B/S=Ball Bearing/Sleeve Bearing

