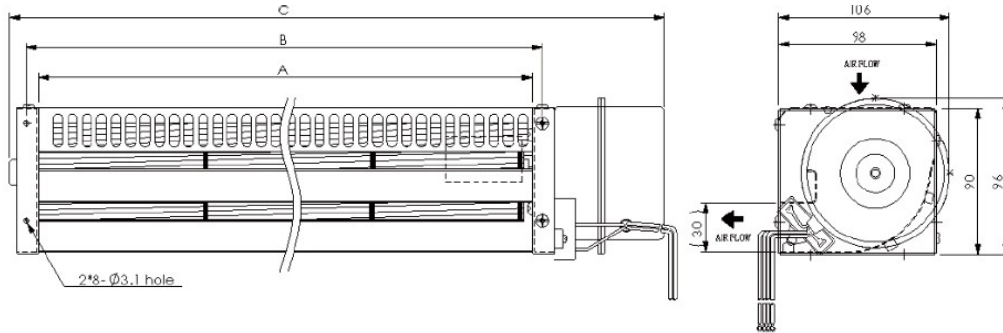


CA060V SERIES

- Size: ø60mm
- Housing / Impeller: Aluminum / Aluminum
- Motor: AC Capacity Motor Type
- Operating Temperature: 0°C ~ +45°C
- Insulation: Class A



Model Number	Size (mm)			Voltage (V)	Frequency (Hz)	Current (A)	Power (W)	Speed (RPM)	Air Flow (CFM)	Pressure (mmH2O)	Noise dB(A)	Weight (g)
	A	B	C									
CA06030__HWV	306	321	40	110	60	0.34	38	2600	183	12	53	1750
				120	60	0.34	41	2700	205	12	53	
				220	50/60	0.15/0.18	32/40	2400/2600	166/183	9/12	50/53	
				230	50	0.15	33	2500	181	8.5	52	
CA06036__HWV	368	383	467	110	60	0.37	41	2500	209	11	54	1850
				120	60	0.38	46	2600	235	11	56	
				220	50/60	0.15/0.19	35/43	2400/2400	195/195	8/11	53/54	
				230	50	0.16	36	2400	212	10	53	
CA06042__HWV	429	444	52	110	60	0.38	41	2500	247	12	54	1950
				120	60	0.39	46	2600	265	11.5	55	
				220	50/60	0.16/0.2	35/43	2400/2400	237/237	9/11	53/53	
				230	50	0.16	37	2500	247	10	54	

_ for B / S = Ball Bearing / Sleeve Bearing

