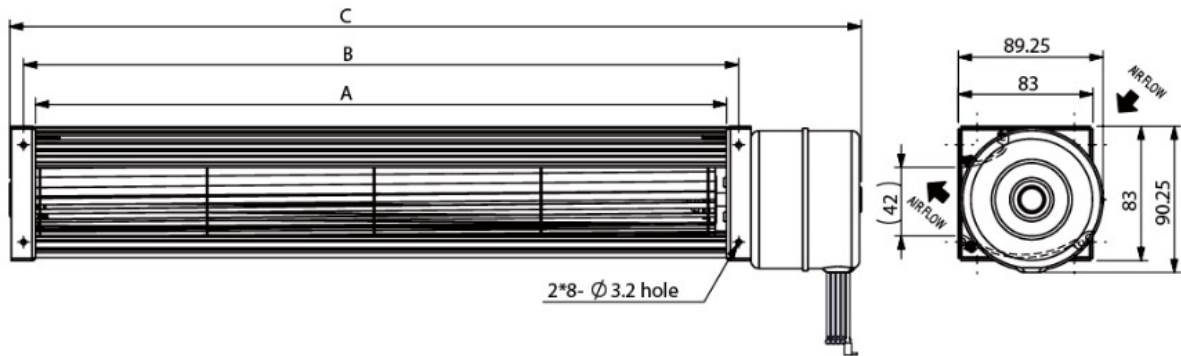


CA060H SERIES

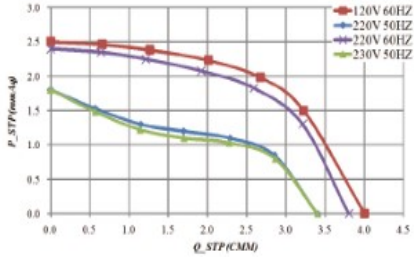
- Size: $\varnothing 60\text{mm}$
- Housing / Impeller: Aluminum / Aluminum
- Motor: AC Capacity Type
- Operating Temperature: $0^{\circ}\text{C} \sim +45^{\circ}\text{C}$
- Insulation: Class A



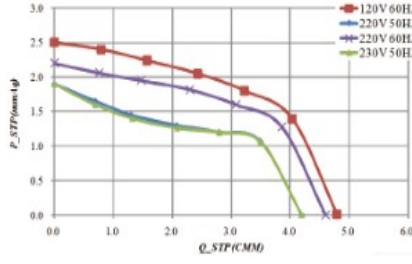
Model Number	Size (mm)			Voltage (V)	Frequency (Hz)	Current (A)	Power (W)	Speed (RPM)	Air Flow (CFM)	Pressure (mmH2O)	Noise dB(A)	Weight (g)
	A	B	C									
CA06030V__BHWH	306	321	405	120	60	0.31	34	3100	155	2.5	52	1800
				220	50/60	0.17/0.18	29/34	2650/3000	120/134	1.8/2.4	48/51	
				230	50	0.17	32	2650	120	1.8	48	
CA06036V__BHWH	366	381	465	120	60	0.33	36	3000	170	2.5	51	1850
				220	50/60	0.17/0.19	31/37	2550/2850	148/163	1.9/2.2	47/50	
				230	50	0.18	33	2600	148	1.9	48	
CA06042V__BHWH	426	441	525	120	60	0.35	39	2850	194	2.3	51	1900
				220	50/60	0.18/0.20	33/39	2500/2700	173/183	1.9/2.2	47/49	
				230	50	0.18	35	2500	173	1.9	47	
CA06052V__BHWH	526	541	625	120	60	0.37	42	2700	237	2	50	2050
				220	50/60	0.19/0.21	35/42	2400/2500	208/219	1.8/1.8	46/47	
				230	50	0.19	37	2450	212	1.8	47	
CA06060V__BHWH	606	621	705	120	60	0.38	43	2600	258	1.9	49	2150
				220	50/60	0.19/0.22	36/42	2300/2400	230/237	1.8/1.9	46/47	
				230	50	0.19	38	2350	233	1.9	47	
CA06070V__BHWH	706	721	805	120	60	0.39	44	2400	269	1.7	47	2250
				220	50/60	0.20/0.22	38/43	2150/2200	240/247	1.6/1.7	44/44	
				230	50	0.2	40	2200	247	1.7	45	

_ for B/S = Ball/Sleeve Bearing

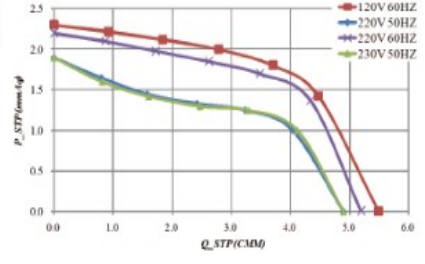
CA06030H



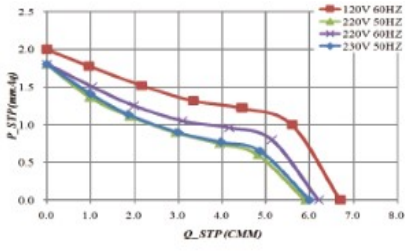
CA06036H



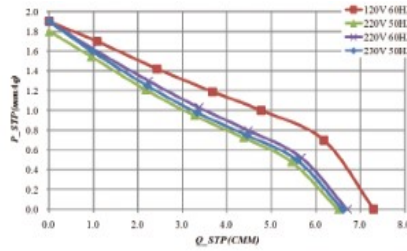
CA06042H



CA06052H



CA06060H



CA06070H

