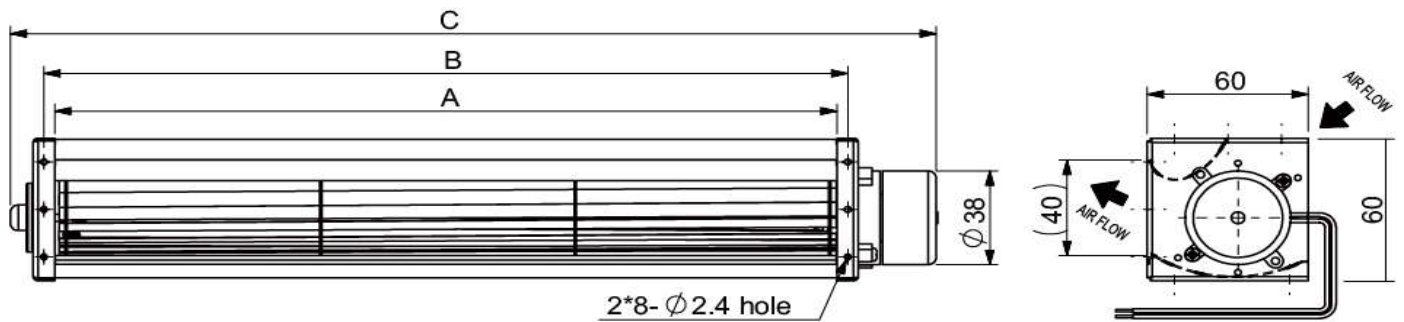


CD043B3Q SERIES

- Size : $\phi 43\text{mm}$
- Housing / Impeller : Aluminum / Aluminum
- Motor : DC Brushless 3-Phase Motor
- Operating Temperature : $0^{\circ}\text{C} \sim +45^{\circ}\text{C}$
- Insulation : Class A



Model Number	Size (mm)			Voltage (V)	Current (A)	Power (W)	Speed (RPM)	Air Flow (CFM)	Pressure (mmH2O)	Noise (dB(A))	Weight (g)
	A	B	C								
①CD04325V24B3HWQ	252	260	306	24	0.23	5.52	2900	71	1.2	36	340
②CD04329V24B3HWQ	292	300	346	24	0.23	5.52	2900	78	1.1	38	370

