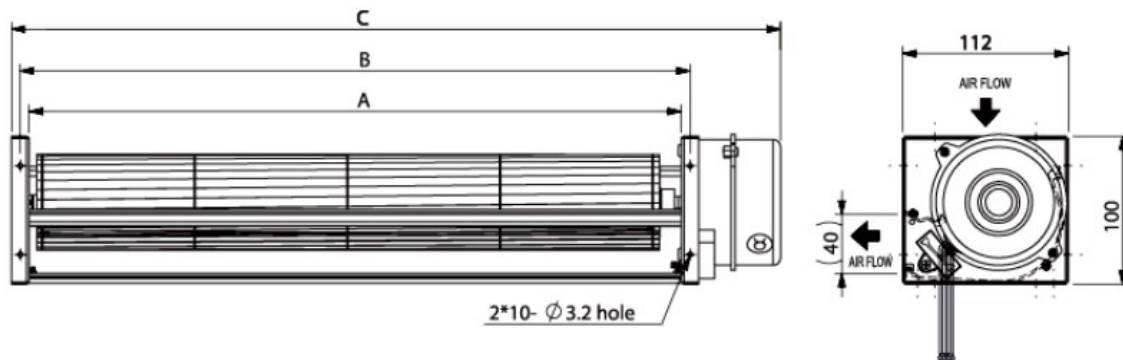


CA065G SERIES

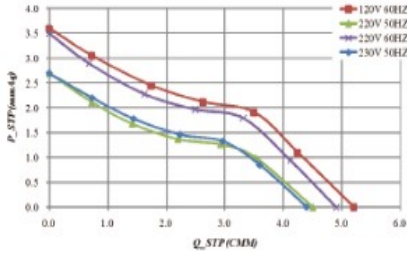
- Size: $\phi 65\text{mm}$
- Housing / Impeller: Aluminum / Aluminum
- Motor: AC Capacity Type
- Operating Temperature: $0^{\circ}\text{C} \sim +45^{\circ}\text{C}$
- Insulation: Class A



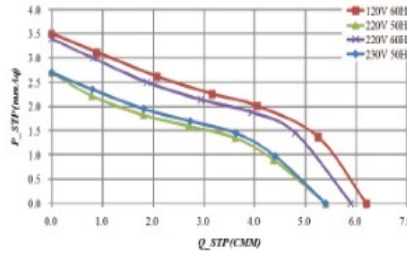
Model Number	Size (mm)			Voltage (V)	Frequency (Hz)	Current (A)	Power (W)	Speed (RPM)	Air Flow (CFM)	Pressure (mmH2O)	Noise dB(A)	Weight (g)
	A	B	C									
CA06530V__BHWG	320	332	399	120	60	0.26	27	1650	184	3.6	46	1800
				220	50/60	0.13/0.14	22/25	1400/1600	159/173	2.7/3.5	42/45	
				230	50	0.14	24	1400	155	2.7	42	
CA06536V__BHWG	366	381	465	120	60	0.27	29	1600	223	3.5	45	1900
				220	50/60	0.13/0.15	23/27	1350/1500	190/208	2.7/3.4	44/45	
				230	50	0.14	25	1350	190	2.7	44	
CA06542V__BHWG	426	441	525	120	60	0.27	30	1550	240	3.3	47	2000
				220	50/60	0.14/0.15	24/27	1350/1500	208/223	2.7/3.4	43/46	
				230	50	0.14	25	1350	208	2.7	43	
CA06552V__BHWG	526	541	625	120	60	0.28	30	1500	290	3.6	47	2100
				220	50/60	0.14/0.15	24/28	1300/1400	240/251	2.7/3.5	43/46	
				230	50	0.14	26	1300	240	2.7	43	
CA06560V__BHWG	606	621	705	120	60	0.35	38	1500	325	3.4	48	2300
				220	50/60	0.17/0.19	30/35	1300/1350	295/304	2.7/3.3	44/45	
				230	50	0.18	33	1300	145	2.7	44	
CA06570V__BHWG	706	721	805	120	60	0.36	38	1450	353	3.3	47	2400
				220	50/60	0.17/0.19	31/35	1250/1300	322/329	2.4/3.2	43/44	
				230	50	0.18	34	1300	329	2.5	43	

__ for B / S = Ball Bearing / Sleeve Bearing

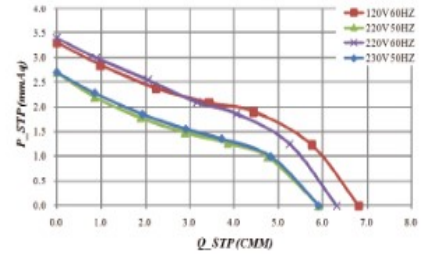
CA06530G



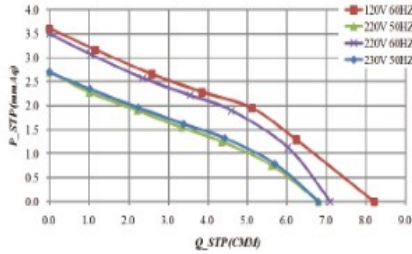
CA06536G



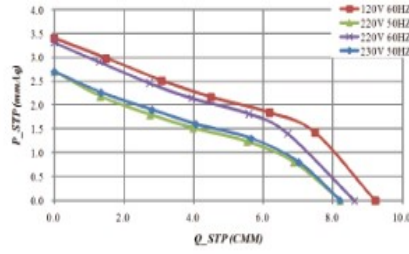
CA06542G



CA06550G



CA06560G



CA06570G

