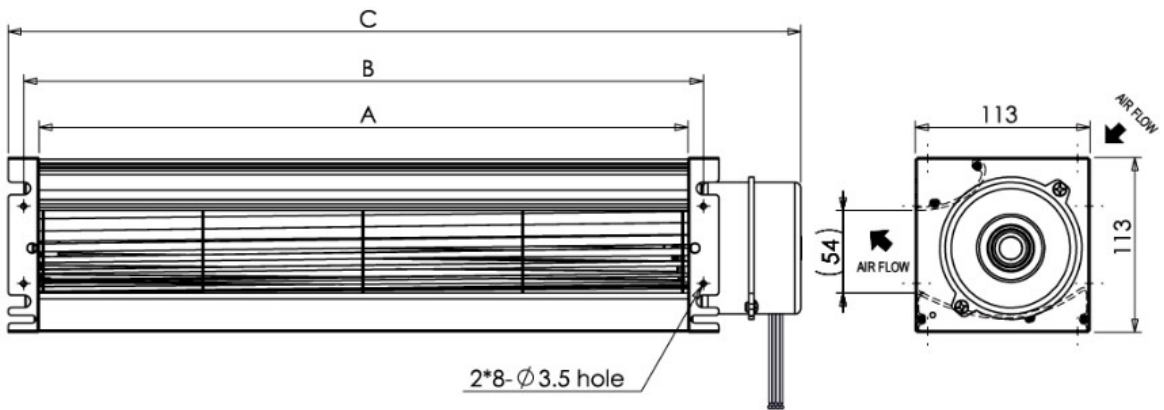


CA081H SERIES

- Size: $\varnothing 81\text{mm}$
- Housing / Impeller: Aluminum / Aluminum
- Motor: AC Capacity Type
- Operating Temperature: $0^{\circ}\text{C} \sim +45^{\circ}\text{C}$
- Insulation: Class A



Model Number	Size (mm)			Voltage (V)	Frequency (Hz)	Current (A)	Power (W)	Speed (RPM)	Air Flow (CFM)	Pressure (mmH ₂ O)	Noise dB(A)	Weight (kg)
	A	B	C									
CA08142V__BHWH	420	440	512	120	50/60	0.25/0.29	26/31	1300/1450	184/205	1.3/1.8	44/47	2300
				230	50/60	0.14/0.16	27/31	1300/1500	184/194	1.3/1.8	44/46	
CA08150V__BHWH	500	520	612	120	50/60	0.25/0.29	27/32	1300/1400	233/251	1.4/1.9	44/46	2400
				230	50/60	0.15/0.16	27/32	1250/1300	223/233	1.3/1.8	43/44	
CA08160V__BHWH	600	620	710	120	50/60	0.33/0.37	35/41	1250/1300	261/279	1.4/1.8	45/46	3000
				230	50/60	0.18/0.20	35/40	1200/1200	258/258	1.3/1.8	44/44	
CA08170V__BHWH	700	720	810	120	50/60	0.34/0.38	36/42	1250/1250	300/300	1.2/1.6	45/45	3200
				230	50/60	0.19/0.21	36/40	1150/1100	279/272	1.2/1.5	43/42	

_ for B / S = Ball Bearing / Sleeve Bearing

