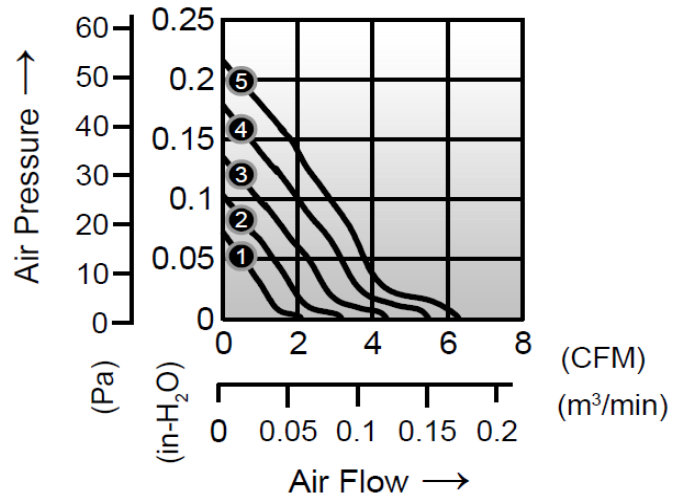
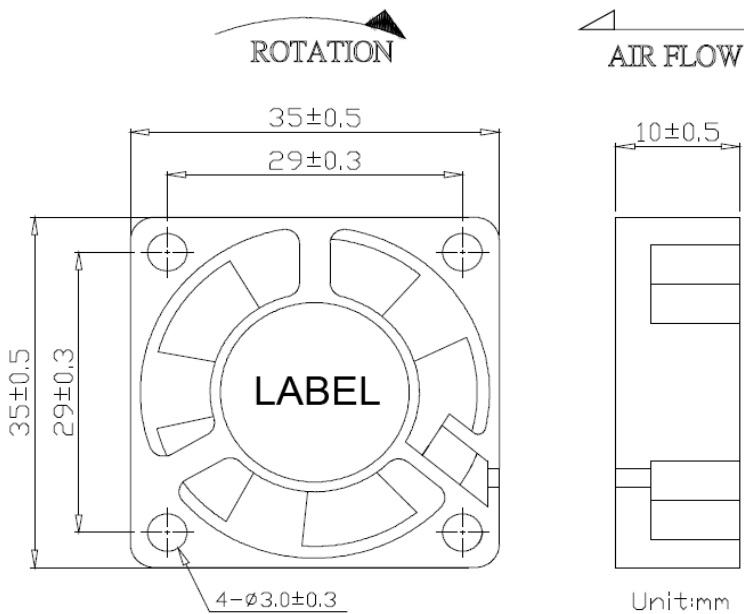


AD3510GE SERIES

- Size: 35 x 35 x 10mm
- Housing: Plastic (UL 94V-0)
- Impeller: Plastic (UL 94V-0)
- Motor: 4 Pole Brushless DC Motor
- Operating Temperature: -10°C ~ +70°C
- Insulation: Class A
- Weight: 11.0g



| Model Number | Voltage | Current | Power | Speed | Air Flow | Pressure | Noise |
|------------------|---------|---------|-------|-------|----------|----------------------|-------|
| | (V) | (A) | (W) | (RPM) | (CFM) | (inH ₂ O) | dB(A) |
| ① AD3510V05_MWGE | 5 | 0.05 | 0.25 | 5000 | 2.10 | 0.07 | 18 |
| ② AD3510V05_HWGE | 5 | 0.06 | 0.30 | 6000 | 3.17 | 0.10 | 20 |
| ③ AD3510V05_UWGE | 5 | 0.07 | 0.35 | 7000 | 4.37 | 0.14 | 23 |
| ③ AD3510V12_UWGE | 12 | 0.03 | 0.36 | 7000 | 4.37 | 0.14 | 23 |
| ④ AD3510V05_VWGE | 5 | 0.04 | 0.20 | 8000 | 5.51 | 0.18 | 25 |
| ④ AD3510V12_VWGE | 12 | 0.04 | 0.48 | 8000 | 5.51 | 0.18 | 25 |
| ⑤ AD3510V05_WWGE | 5 | 0.01 | 0.05 | 9000 | 6.30 | 0.22 | 28 |
| ⑤ AD3510V12_WWGE | 12 | 0.07 | 0.84 | 9000 | 6.30 | 0.22 | 28 |

_ for B / F = Ball Bearing / Fluid Bearing