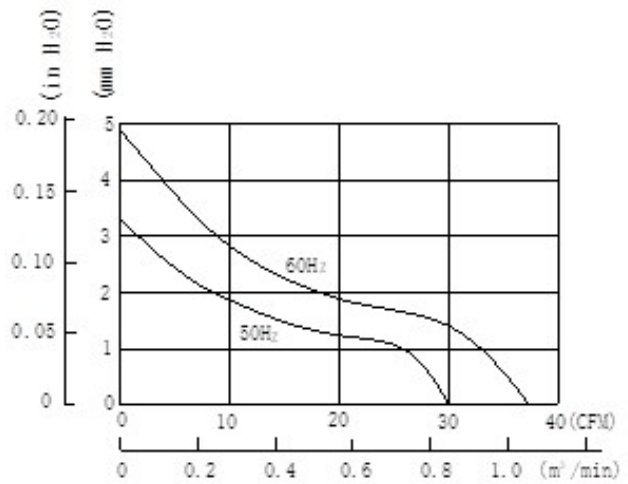
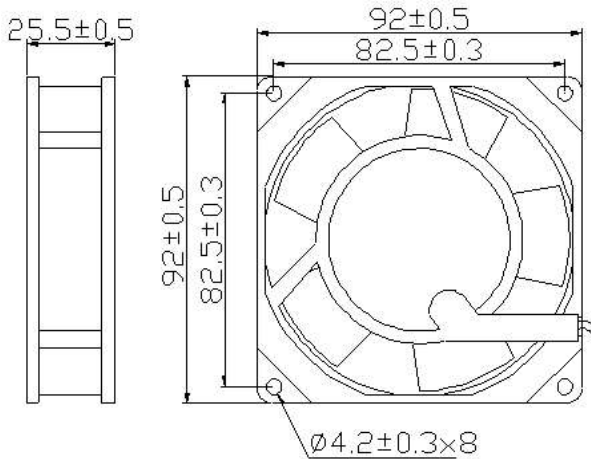


AA9225YY SERIES

- Size: 90 x 90 x 25mm
- Housing: Aluminum
- Impeller: Aluminum
- Motor: AC Shaded Pole Type
- Operating Temperature: -10°C ~ +70°C
- Insulation: Class A



Model Number	Voltage	Frequency	Current	Power	Speed	Air Flow	Pressure	Noise
	(V)	(Hz)	(A)	(W)	(RPM)	(CFM)	(mmH ₂ O)	dB(A)
AA9225V11_H*YY	115	50/60	0.12/0.10	14.0/13.5	2550/2900	30/37	3.3/4.8	32/37
AA9225V11_M*YY	115	50/60	0.09/0.08	11.0/10.0	2300/2600	25/30	3.0/3.5	25/33
AA9225V11_L*YY	115	50/60	0.07/0.07	9.0/8.0	2000/2200	21/22	2.7/2.6	22/24
AA9225V22_H*YY	220	50/60	0.07/0.06	14.0/13.5	2550/2900	30/37	3.3/4.8	32/37
AA9225V22_M*YY	220	50/60	0.06/0.06	11.0/10.0	2300/2600	25/30	3.0/3.5	25/33
AA9225V22_L*YY	220	50/60	0.05/0.05	9.0/8.0	2000/2200	21/22	2.7/2.6	22/24

_ for B / S = Ball Bearing / Sleeve Bearing,
 * for T/W = Terminals/ Lead Wires