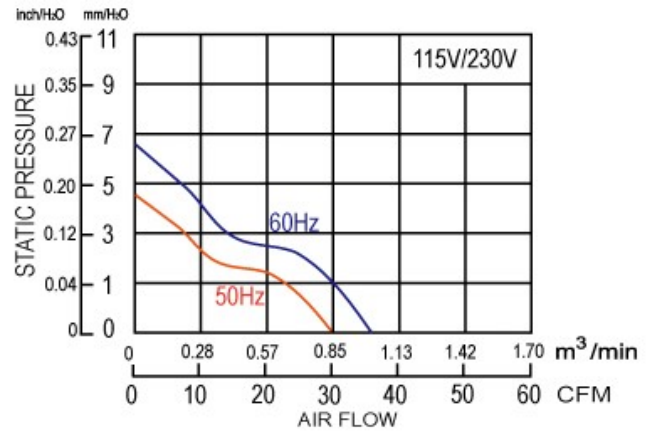
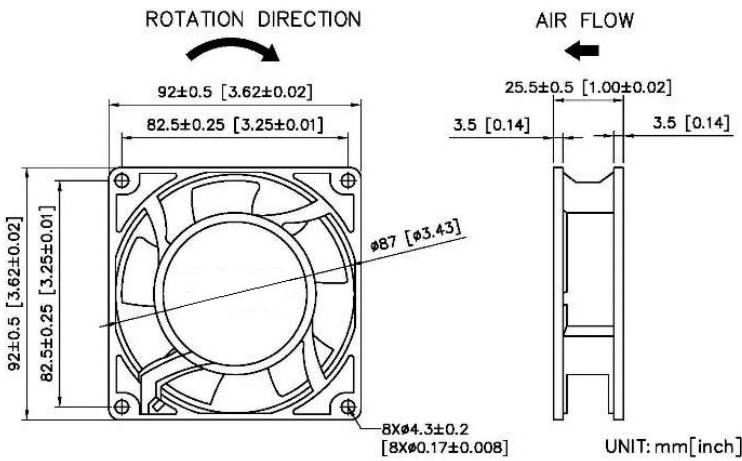


## AA9225 SERIES

- Size: 90 x 90 x 25mm
- Housing: Aluminum
- Impeller: Thermoplastic PBT, UL94V-0
- Motor: AC Shaded Pole Type
- Operating Temperature: -10°C ~ +70°C
- Insulation: Class A



Model Number	Voltage	Frequency	Current	Power	Speed	Air Flow	Pressure	Noise
	(V)	(Hz)	(A)	(W)	(RPM)	(CFM)	(mmH <sub>2</sub> O)	dB(A)
AA9225V11_H*	115	50/60	0.14/0.11	11/9	2700/3100	30/36	4.57/6.60	40/45
AA9225V22_H*	220	50/60	0.07/0.06	12/10	2700/3100	30/36	4.57/6.60	40/45

\_ for B / S = Ball Bearing / Sleeve Bearing,

\* for T/W = Terminals/ Lead Wires