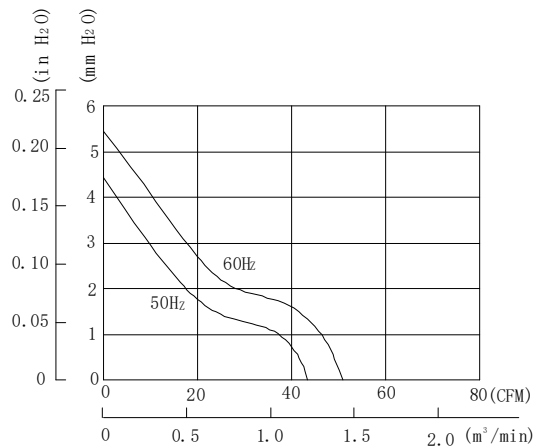
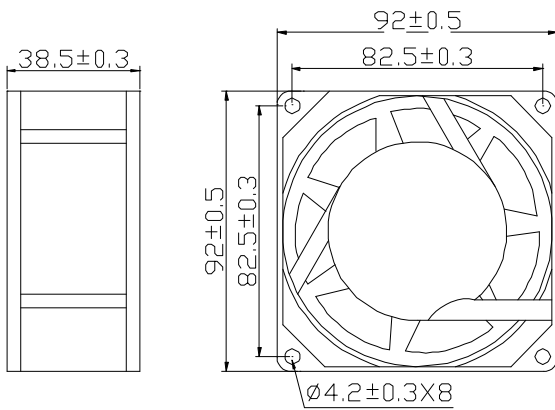


## AA9238YY SERIES

- Size: 90 x 90 x 38mm
- Housing: Aluminum
- Impeller: Aluminum
- Motor: AC Shaded Pole Type
- Operating Temperature: -10°C ~ +70°C
- Insulation: Class A



Model Number	Voltage	Frequency	Current	Power	Speed	Air Flow	Pressure	Noise
	(V)	(Hz)	(A)	(W)	(RPM)	(CFM)	(mmH <sub>2</sub> O)	dB(A)
AA9238V11_H*YY	115	50/60	0.16/0.14	16/14	2400/2900	43/50	4.5/5.5	32/36
AA9238V11_M*YY	115	50/60	0.13/0.11	14/12	2200/2400	28/32	3.5/4.2	27/31
AA9238V11_L*YY	115	50/60	0.10/0.09	10/9	1800/1600	24/23	3.0/2.7	20/18
AA9238V22_H*YY	220	50/60	0.12/0.11	16/14	2400/2900	43/50	4.5/5.5	32/36
AA9238V22_M*YY	220	50/60	0.09/0.08	14/12	2200/2400	28/32	3.5/4.2	27/31
AA9238V22_L*YY	220	50/60	0.08/0.07	10/9	1800/1600	24/23	3.0/2.7	20/18

\_ for B / S = Ball Bearing / Sleeve Bearing,  
 \* for T/W = Terminals/ Lead Wires