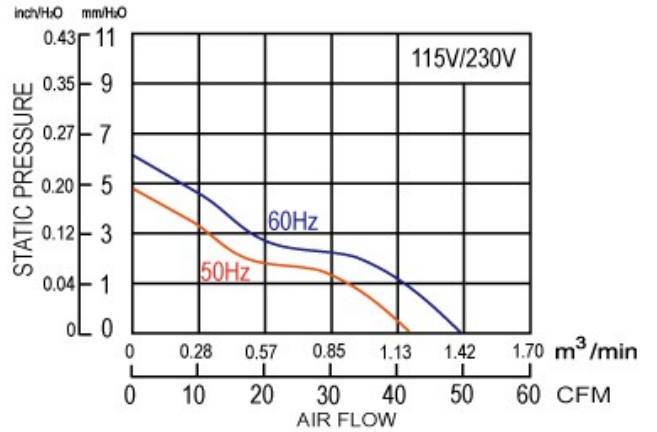
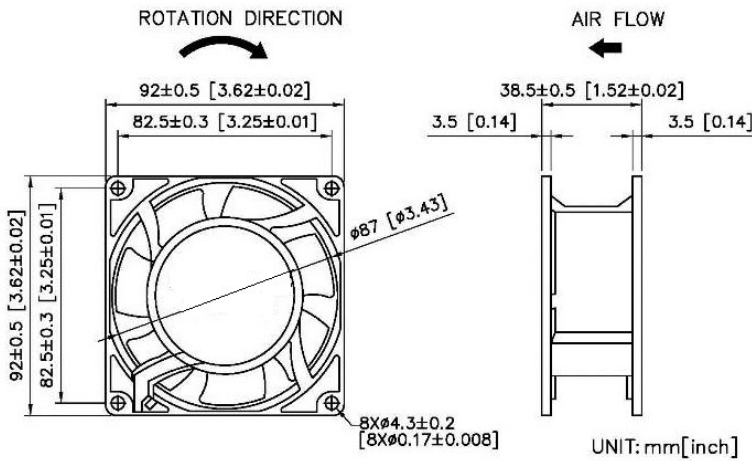


## AA9238 SERIES

- Size: 90 x 90 x 38mm
- Housing: Aluminum
- Impeller: Thermoplastic PBT, UL91V-0
- Motor: AC Shaded Pole Type
- Operating Temperature: -10°C ~ +70°C
- Insulation: Class A



Model Number	Voltage	Frequency	Current	Power	Speed	Air Flow	Pressure	Noise
	(V)	(Hz)	(A)	(W)	(RPM)	(CFM)	(mmH <sub>2</sub> O)	dB(A)
AA9238V11_H*YY	115	50/60	0.19/0.15	14/11	2800/3200	42/49	4.83/6.10	40/45
AA9238V22_H*YY	220	50/60	0.10/0.08	15/12	2800/3200	42/49	4.83/6.10	40/45

\_ for B / S = Ball Bearing / Sleeve Bearing,  
 \* for T/W = Terminals/ Lead Wires