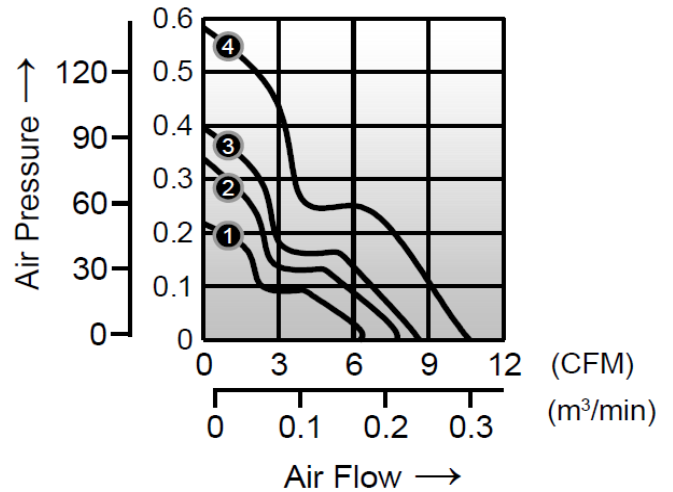
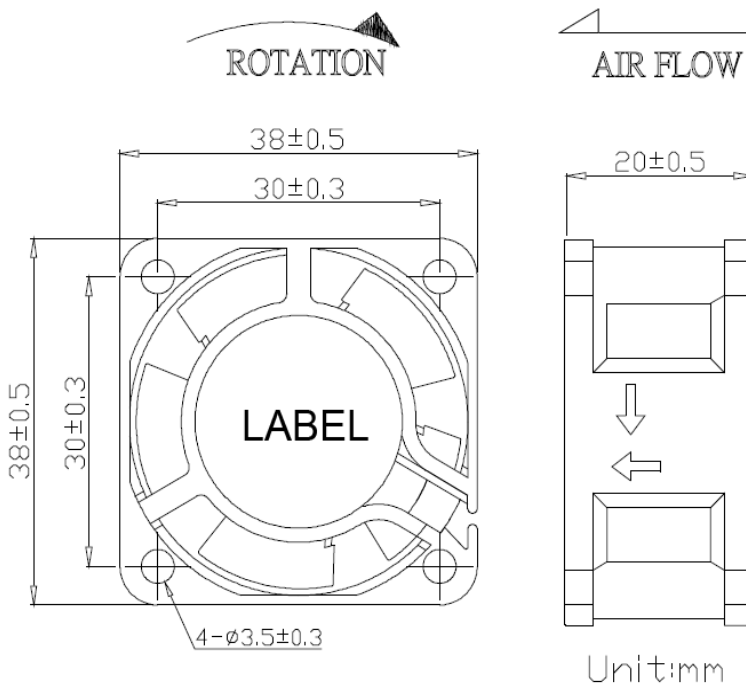


# AD3820GE SERIES

- Size: 38 x 38 x 20mm
- Housing: Plastic (UL 94V-0)
- Impeller: Plastic (UL 94V-0)
- Motor: 4 Pole Brushless DC Motor
- Operating Temperature: -10°C ~ +70°C
- Insulation: Class A
- Weight: 31.0g



Model Number	Voltage	Current	Power	Speed	Air Flow	Pressure	Noise
	(V)	(A)	(W)	(RPM)	(CFM)	(inH2O)	dB(A)
① AD3820V12BLWGE	12	0.10	1.20	6700	6.3	0.22	36
① AD3820V24BLWGE	24	0.07	1.68	6700	6.3	0.22	36
② AD3820V12BMWGE	12	0.12	1.44	8000	7.4	0.34	40
② AD3820V24BMWGE	24	0.07	1.68	8000	7.4	0.34	40
③ AD3820V12BHWGE	12	0.13	1.56	8900	8.6	0.39	42
③ AD3820V24BHWGE	24	0.09	2.16	8900	8.6	0.39	42
④ AD3820V12BUWGE	12	0.30	3.60	10000	10.6	0.58	43
④ AD3820V24BUWGE	24	0.17	4.08	10000	10.6	0.58	43

B = Ball Bearing