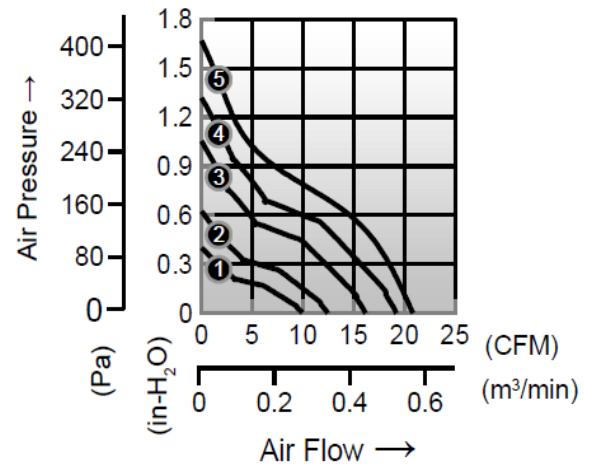
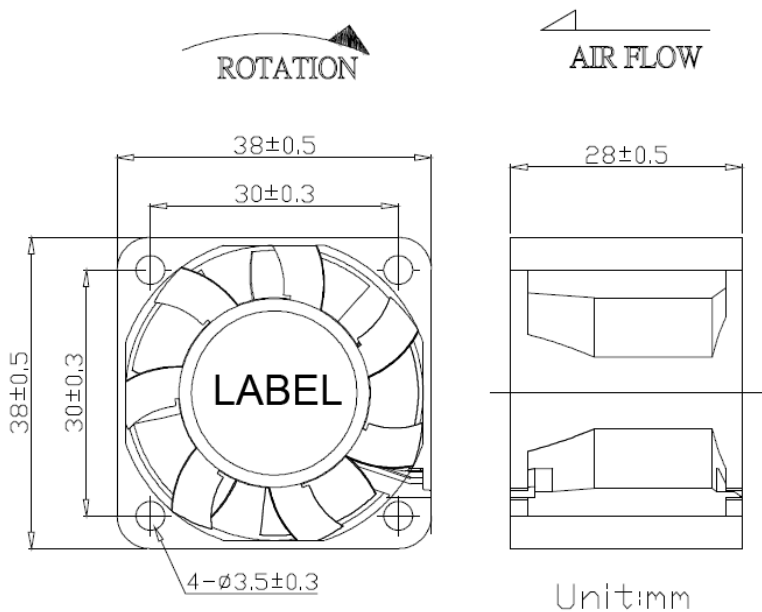


AD3828GB SERIES

- Size: 38 x 38 x 28mm
- Housing: Plastic (UL 94V-0)
- Impeller: Plastic (UL 94V-0)
- Motor: 4 Pole Brushless DC Motor
- Operating Temperature: -10°C ~ +70°C
- Insulation: Class A
- Weight: 40.0g



Model Number	Voltage	Current	Power	Speed	Air Flow	Pressure	Noise
	(V)	(A)	(W)	(RPM)	(CFM)	(inH2O)	dB(A)
① AD3828V12BLWGB	12	0.11	1.32	8000	9.4	0.39	38
② AD3828V12BMWGB	12	0.15	1.80	10000	12.5	0.63	44
③ AD3828V12BHWGB	12	0.29	3.48	13000	16.3	1.02	51
④ AD3828V12BUWGB	12	0.48	5.76	15000	19.2	1.37	55
⑤ AD3828V12BVWGB	12	0.85	10.20	17000	20.8	1.67	59

B = Ball Bearing