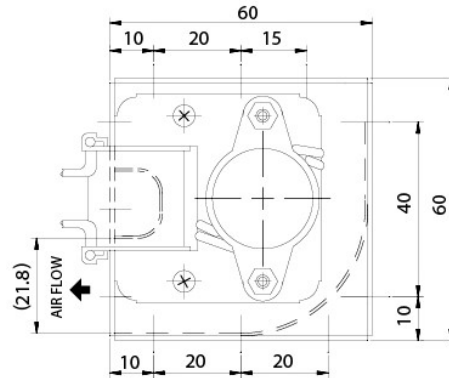
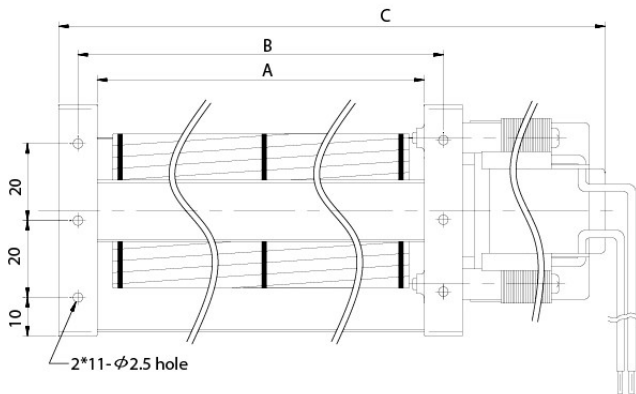


CA040E SERIES

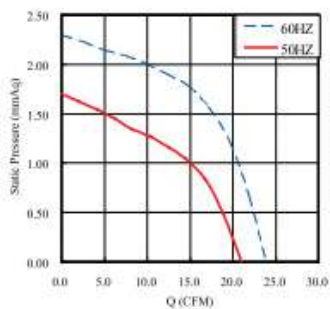
- Size : $\phi 40\text{mm}$
- Housing / Impeller : Aluminum / Aluminum
- Motor : AC Shaded Pole Type
- Operating Temperature : $0^{\circ}\text{C} \sim +45^{\circ}\text{C}$
- Insulation : Class A



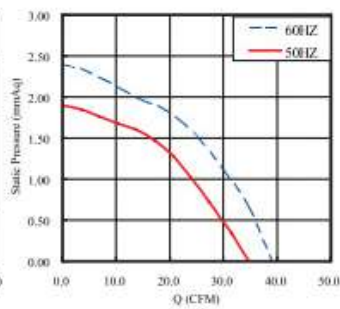
Model Number	Size (mm)			Voltage (V)	Frequency (Hz)	Current (A)	Power (W)	Speed (RPM)	Air Flow (CFM)	Pressure (mmH2O)	Noise (dB(A))	Weight (g)
	A	B	C									
CA04009V11_HWE	98	108	154	120	50/60	0.14/0.12	10/9	2700/3000	21/24	1.7/2.3	29/33	520
CA04009V22_HWE				230	50/60	0.09/0.07	11/9	2700/3000	21/24	1.7/2.3	29/33	
CA04015V11_HWE	160	170	222	120	50/60	0.15/0.13	11/10	2600/2800	35/39	1.9/2.4	30/34	560
CA04015V22_HWE				230	50/60	0.09/0.07	11/9	2600/2800	35/39	1.9/2.4	30/34	
CA04019V11_HWE	198	208	260	120	50/60	0.15/0.13	10/9	2500/2400	49/46	2.0/2.6	33/31	600
CA04019V22_HWE				230	50/60	0.09/0.07	12/11	2500/2400	49/46	2.0/2.6	33/31	
CA04029V11_HWE	300	310	366	120	50/60	0.23/0.21	17/16	2400/2200	74/70	2.1/2.6	37/35	730
CA04029V22_HWE				230	50/60	0.10/0.09	13/13	2400/2200	74/70	2.1/2.6	37/35	

_ for B / S = Ball Bearing / Sleeve Bearing

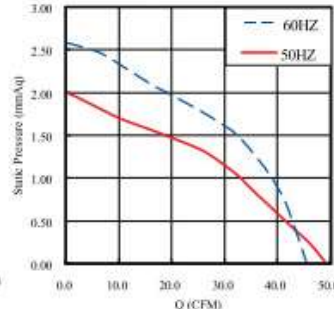
CA04009E



CA04015E



CA04019E



CA04029E

