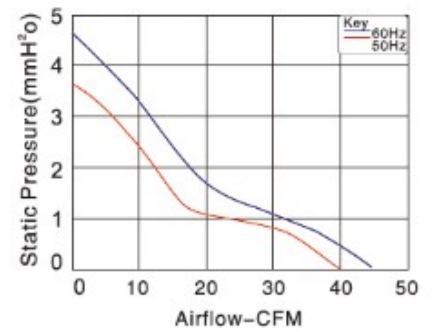
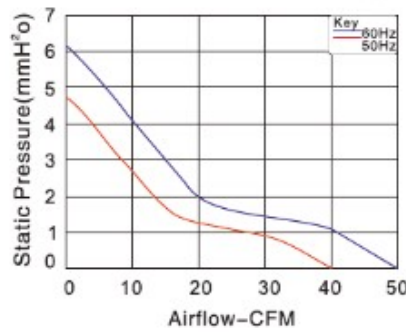
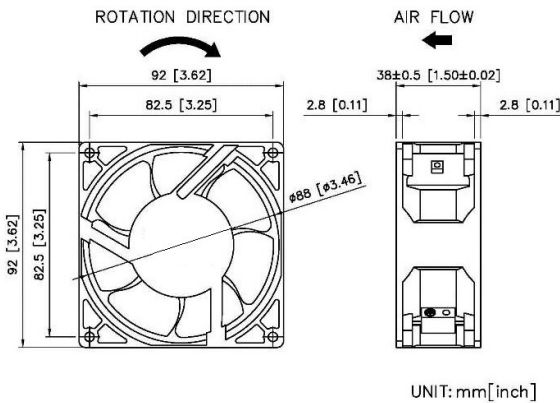
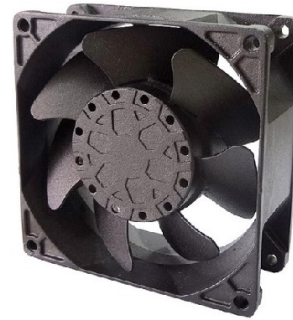


## AA9238M9L SERIES

- Size: 90 x 90 x 38mm
- Housing: Aluminum
- Impeller: Metal
- Motor: AC Shaded Pole Type
- Operating Temperature: -10°C ~ +70°C
- Insulation: Class A



Model Number	Voltage	Frequency	Current	Power	Speed	Air Flow	Pressure	Noise
	(V)	(Hz)	(A)	(W)	(RPM)	(CFM)	(mmH <sub>2</sub> O)	(dB(A))
AA9238V11MSH*9L	100/125	50/60	0.23/0.18	17/13	2350/2750	39/46	7.4/5.9	26/31
AA9238V22MSH*9L	200/240	50/60	0.06/0.05	10/8	2350/2750	39/46	7.4/5.9	26/31
AA9238V11MBH*9L	100/125	50/60	0.23/0.18	17/13	2350/2750	39/46	7.4/5.9	26/31
AA9238V22MBH*9L	200/240	50/60	0.06/0.05	10/8	2350/2750	39/46	7.4/5.9	26/31
AA9238V11MSM*9L	100/125	50/60	0.12/0.09	9/7	2250/2600	38/44	4.0/5.0	26/31
AA9238V22MSM*9L	200/240	50/60	0.07/0.06	11/8	2250/2600	38/44	4.0/5.0	26/31
AA9238V11MBM*9L	100/125	50/60	0.12/0.09	9/7	2250/2600	38/44	4.0/5.0	26/31
AA9238V22MBM*9L	200/240	50/60	0.07/0.06	11/8	2250/2600	38/44	4.0/5.0	26/31

\_ for B / S = Ball Bearing / Sleeve Bearing,  
 \* for T/W = Terminals/ Lead Wires