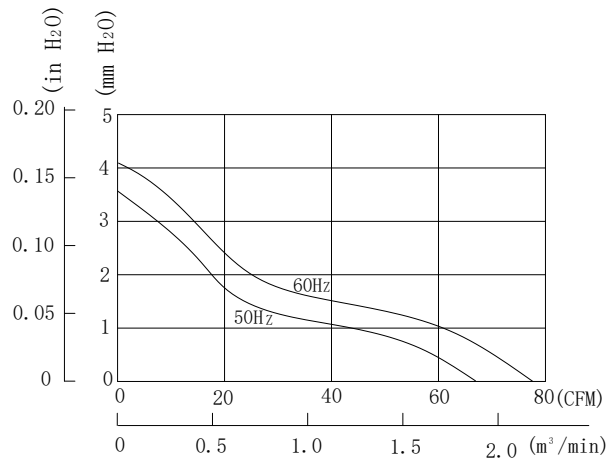
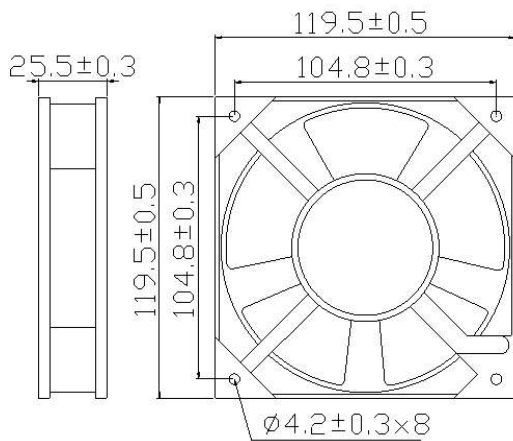


## AA1225YY SERIES

- Size: 120 x 120 x 25mm
- Housing: Aluminum
- Impeller: Thermoplastic PBT, UL94V-0
- Motor: AC Shaded Pole Type
- Operating Temperature: -10°C ~ +70°C
- Insulation: Class A



Model Number	Voltage	Frequency	Current	Power	Speed	Air Flow	Pressure	Noise
	(V)	(Hz)	(A)	(W)	(RPM)	(CFM)	(mmH <sub>2</sub> O)	(dB(A))
AA1225V11_HWYY	115	50/60	0.19/0.18	19/18	2200/2400	66/78	3.56/4.06	38/40
AA1225V11_MWYY	115	50/60	0.16/0.15	16/15	2000/2000	58/58	3.00/3.20	35/35
AA1225V11_LWYY	115	50/60	0.13/0.11	14/13	1800/1700	50/48	2.78/2.68	30/29
AA1225V22_HWYY	220	50/60	0.09/0.09	19/18	2200/2400	66/78	3.56/4.06	38/40
AA1225V22_MWYY	220	50/60	0.07/0.07	16/15	2000/2000	58/58	3.00/3.20	35/35
AA1225V22_LWYY	220	50/60	0.05/0.05	14/13	1800/1700	50/48	2.78/2.68	30/29

\_ for B / S = Ball Bearing / Sleeve Bearing