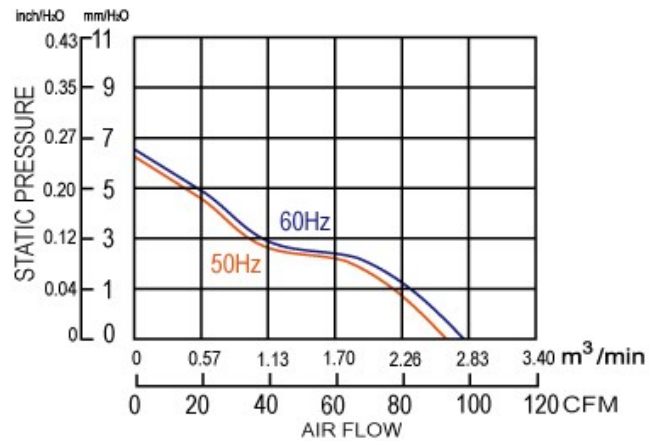
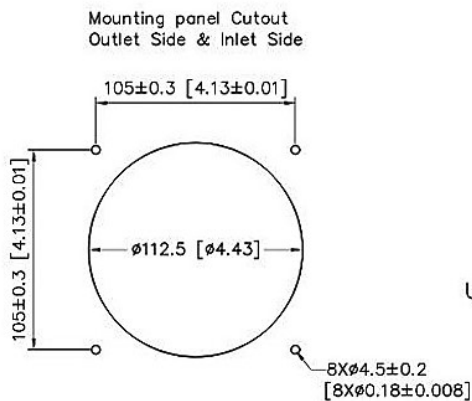
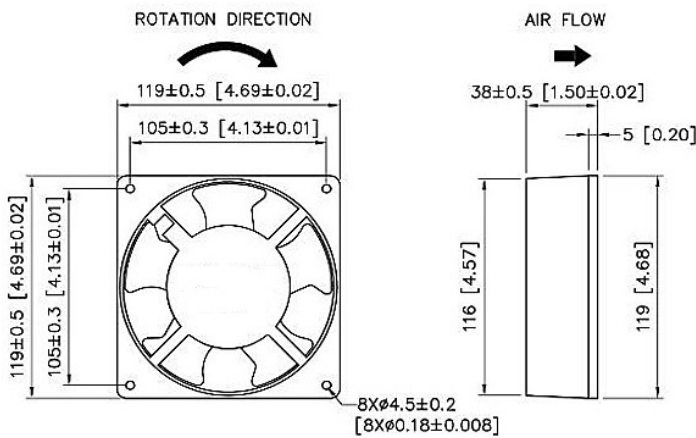


AA1238RC5 SERIES

- Size: 120 x 120 x 38mm
- Housing: Aluminum
- Impeller: Thermoplastic PBT, UL94V-0
- Motor: AC Shaded Pole Type
- Operating Temperature: -10°C ~ +70°C
- Insulation: Class A



UNIT: mm[inch]

Model Number	Voltage	Frequency	Current	Power	Speed	Air Flow	Pressure	Noise
	(V)	(Hz)	(A)	(W)	(RPM)	(CFM)	(mmH ₂ O)	dB(A)
AA1238RV22_M*C5	230	50/60	0.15/0.12	24.4/20	2650/3050	93.7/97.5	6.2/6.5	42/47

_ for B / S = Ball Bearing / Sleeve Bearing,
* for T/W = Terminals/ Lead Wires