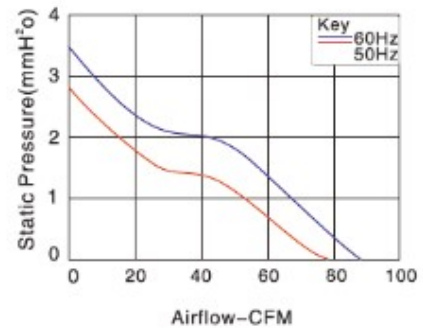
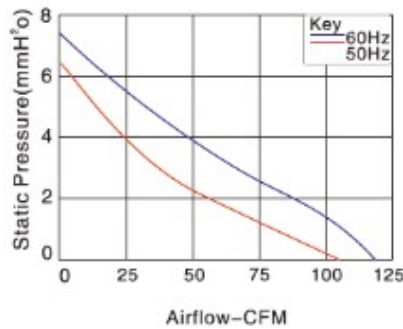
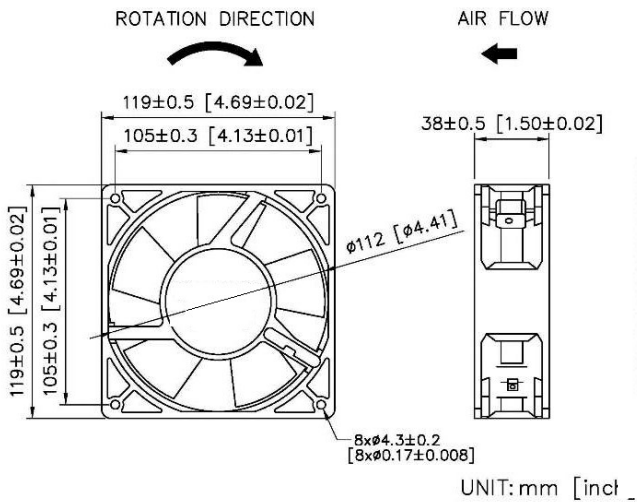


AA1238M9L SERIES

- Size: 120 x 120 x 38mm
- Housing: Aluminum
- Impeller: Metal
- Motor: AC Shaded Pole Type and Outer Rotor
- Operating Temperature: -10°C ~ +105°C
- Insulation: Class A



Model Number	Voltage	Frequency	Current	Power	Speed	Air Flow	Pressure	Noise
	(V)	(Hz)	(A)	(W)	(RPM)	(CFM)	(mmH ₂ O)	dB(A)
AA1238V11MBH*9L	110/125	50/60	0.21	24	2600/3000	106/120	6.4/7.5	46/50
AA1238V22MBH*9L	200/240	50/60	0.15	24	2600/3000	106/120	6.4/7.5	46/50
AA1238V11MBM*9L	110/125	50/60	0.21	17	2000/3000	79/87	2.8/3.5	39/41
AA1238V22MBM*9L	200/240	50/60	0.1	16	2000/3000	79/87	2.8/3.5	39/41

_ for B / S = Ball Bearing / Sleeve Bearing,
 * for T/W = Terminals/ Lead Wires