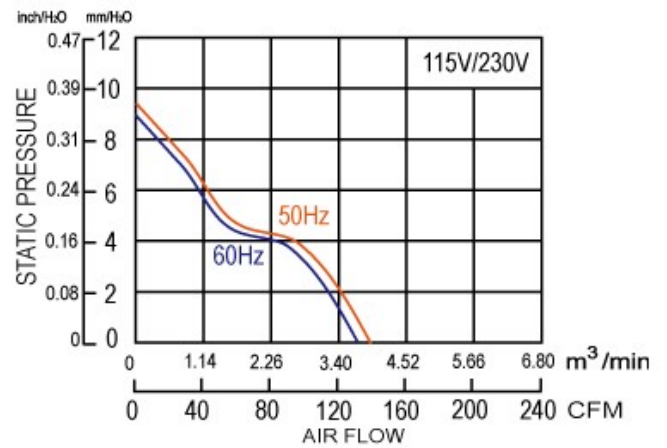
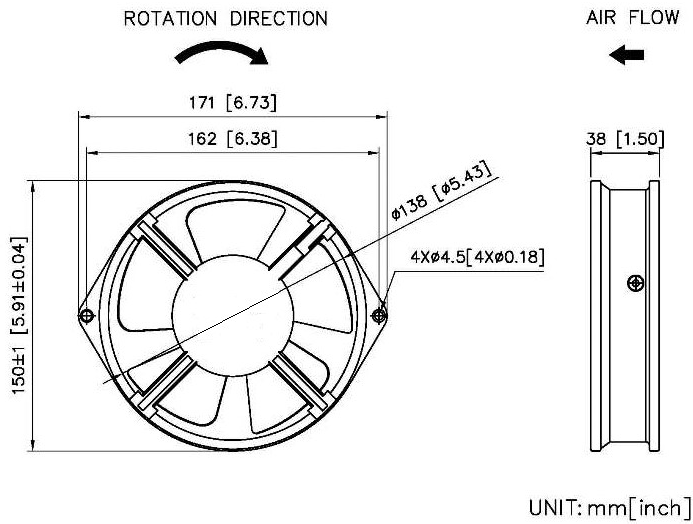


AA15383C SERIES

- Size: 172 x 150 x 38mm
- Housing: Aluminum
- Impeller: Thermoplastic PBT, UL94V-0
- Motor: AC Shaded Pole Type and Outer Rotor
- Operating Temperature: -10°C ~ +105°C
- Insulation: Class A



Model Number	Voltage	Frequency	Current	Power	Speed	Air Flow	Pressure	Noise
	(V)	(Hz)	(A)	(W)	(RPM)	(CFM)	(mmH ₂ O)	dB(A)
AA1538V11BH*3C	110/120	50/60	0.30/0.27	22/20	2300/2000	140/130	9.65/9.14	31/30
AA1538V22BH*3C	220/240	50/60	0.18/0.16	27/24	2300/2000	140/130	9.65/9.14	31/30

_ for B / S = Ball Bearing / Sleeve Bearing,
 * for T/W = Terminals/ Lead Wires