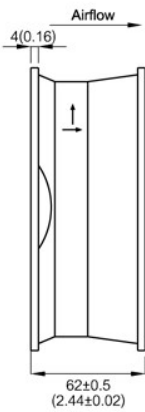
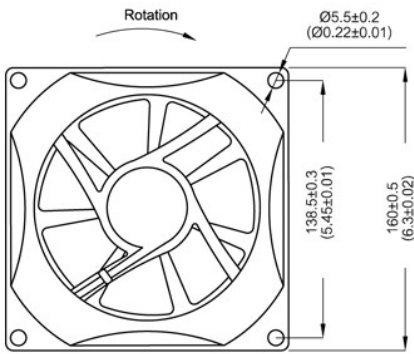
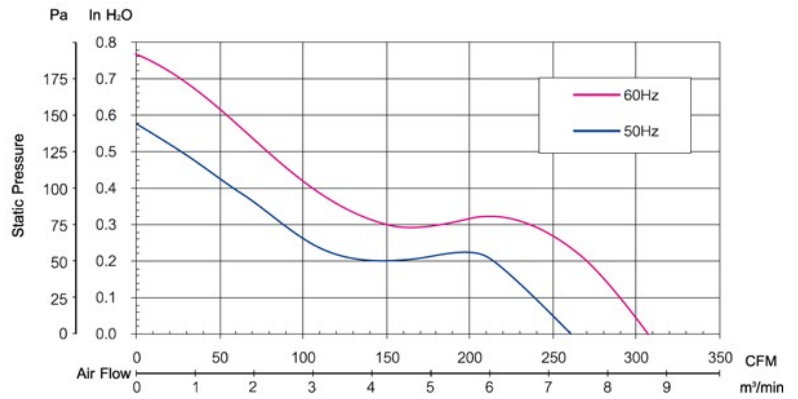


AA1662M SERIES

- Size: 160 x 160 x 62mm
- Housing: Aluminum
- Impeller: Thermoplastic PBT, UL94V-0
- Motor: AC Induction Capacitor Motor
- Operating Temperature: -20°C ~ +70°C
- Insulation: Class A



Unit:mm(Inch)



Model No.	Voltage	Frequency	Current	Power	Speed	Air Flow	Pressure	Noise
	(V)	(Hz)	(A)	(W)	(RPM)	(CFM)	(mmH2O)	dB(A)
AA1662V11BH*	115	50/60	0.45/0.50	51/58	2900/3400	261/307	14.7/19.3	60/64
AA1662V22BH*	230	50/60	0.23/0.25	51/57	2900/3400	261/305	14.7/19.3	60/64

* for T/W = Terminals/ Lead Wires